



2.5 GHz 1,6/5.6 LATCHING TRANSFER SWITCH

OPTIONS: INDICATOR

**R F CHARACTERISTICS**

FREQUENCY RANGE : 0 - 2.5 GHz  
 IMPEDANCE : 75 Ohms

|                 |         |         |
|-----------------|---------|---------|
| FREQUENCY (GHz) | 0 - 1   | 1 - 2.5 |
| V.S.W.R <=      | 1.20    | 1.30    |
| INSERT. LOSS <= | 0.20 dB | 0.30 dB |
| ISOLATION >=    | 80 dB   | 70 dB   |
| AVER. POWER (*) | 400 W   | 240 W   |

**ELECTRICAL CHARACTERISTICS**

ACTUATOR : LATCHING  
 NOMINAL CURRENT AT 25°C (±10%) : 125 mA  
 ACTUATOR VOLTAGE (Vcc) : 28V (24 to 30V) / NEGATIVE COMMON  
 TERMINALS : solder pins (250 Deg.C max./30 sec)  
 INDICATOR RATING : 1 W / 30 V / 100 mA

**MECHANICAL CHARACTERISTICS**

CONNECTORS : 1,6/5.6 female per IEC 169-13  
 LIFE : 2.500.000 cycles  
 SWITCHING TIME (nominal voltage;25°C) : < 15 ms  
 CONSTRUCTION : splashproof  
 WEIGHT : < 85 g

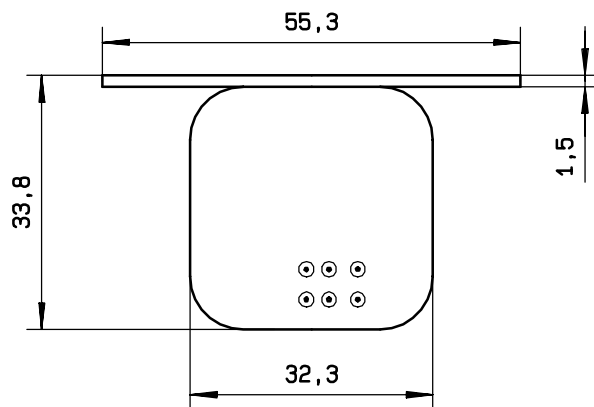
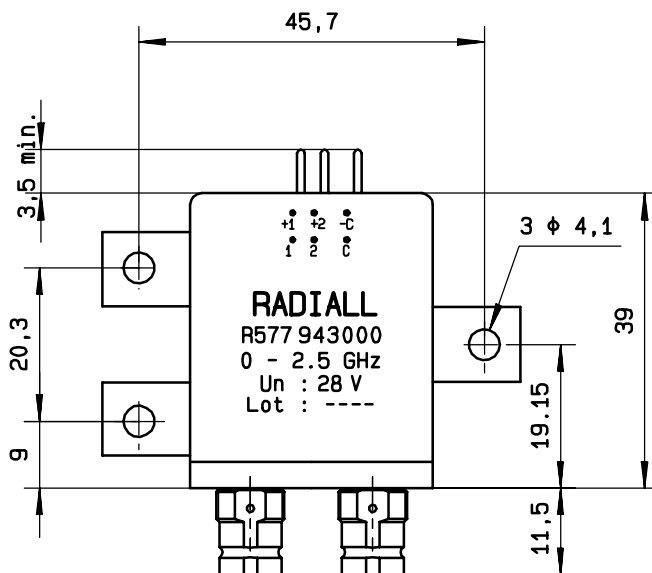
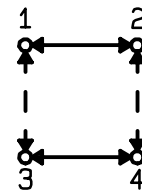
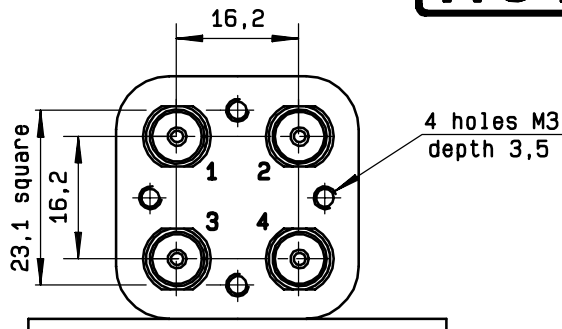
**ENVIRONMENTAL CHARACTERISTICS**

OPERATING TEMPERATURE RANGE (°C) : -25 , +70  
 STORAGE TEMPERATURE RANGE (°C) : -40 , +85

(\* : average power at 25°C)

4112-9212 This information is given as an indication. In the continual goal to improve our products, we reserve the right to make any modifications judged necessary

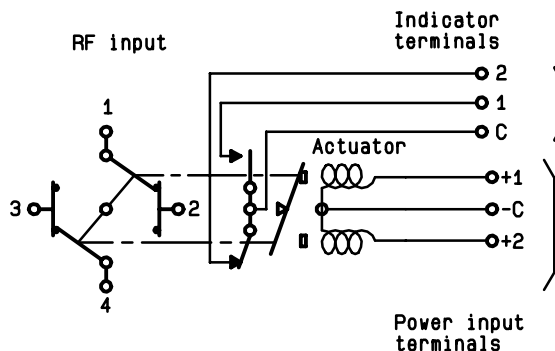
**DRAWING**



General tolerance: ± 0,5 mm

**SCHEMATIC DIAGRAM**

| Voltage | RF continuity  | Indicator |
|---------|----------------|-----------|
| - C + 1 | 1 ↔ 3    2 ↔ 4 | C . 1     |
| - C + 2 | 1 ↔ 2    3 ↔ 4 | C . 2     |



4113-9212 This information is given as an indication. In the continual goal to improve our products, we reserve the right to make any modifications judged necessary