

PAGE 1/2

ISSUE 25-11-22

SERIE : SPnT

PART NUMBER : R574G53505

## RF CHARACTERISTICS

Number of ways : 5  
Frequency range : 0 - 18 GHz  
Impedance : 50 Ohms

| Frequency (GHz)    | DC - 3  | 3 - 8   | 8 - 12.4 | 12.4 - 18 |
|--------------------|---------|---------|----------|-----------|
| VSWR max           | 1,20    | 1,30    | 1,40     | 1,50      |
| Insertion loss max | 0.20 dB | 0.30 dB | 0.40 dB  | 0.50 dB   |
| Isolation min      | 80 dB   | 70 dB   | 60 dB    | 60 dB     |
| Average power (*)  | 240 W   | 150 W   | 120 W    | 100 W     |

TERMINATION IMPEDANCE : 50 Ohms  
TERM. AVG. POWER AT 25° C : 1 W per termination / 3 W total power

## ELECTRICAL CHARACTERISTICS

Actuator : LATCHING  
Nominal current \*\* : 125 mA / RESET : 625 mA \*\*\*\*  
Actuator voltage (Vcc) : 28V (24 to 30V) / NEGATIVE COMMON  
Terminals : 25 pins D-SUB male connector  
Indicator rating : 1 W / 30 V / 100 mA  
Self cut-off time : 40 ms < CT < 120 ms

## MECHANICAL CHARACTERISTICS

Connectors : SMA female per MIL-C 39012  
Life : 3 million cycles per position  
Switching Time\*\*\* : < 15 ms  
Construction : Splashproof  
Weight : < 250 g

## ENVIRONMENTAL CHARACTERISTICS

Operating temperature range : -40°C to +85°C  
Storage temperature range : -55°C to +85°C

- (\* Average power at 25°C per RF Path)  
(\*\* At 25° C ±10%)  
(\*\*\* Nominal voltage ; 25° C)  
(\*\*\*\* Reset : supply voltage time 1sec. max. / duty cycle 10%)



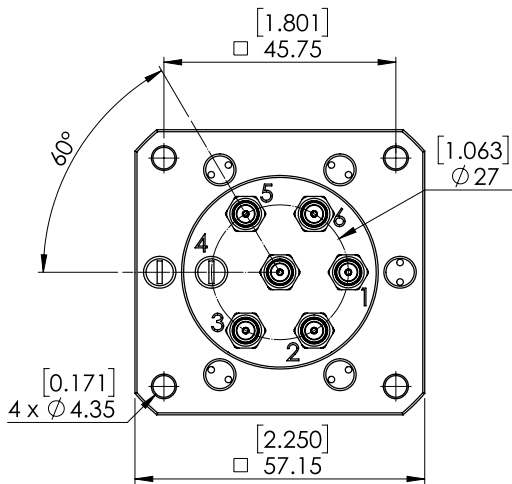
PAGE 2/2

ISSUE 25-11-22

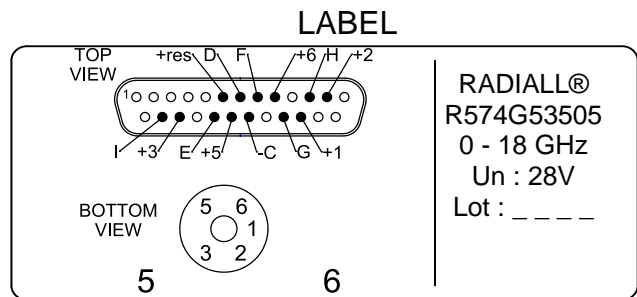
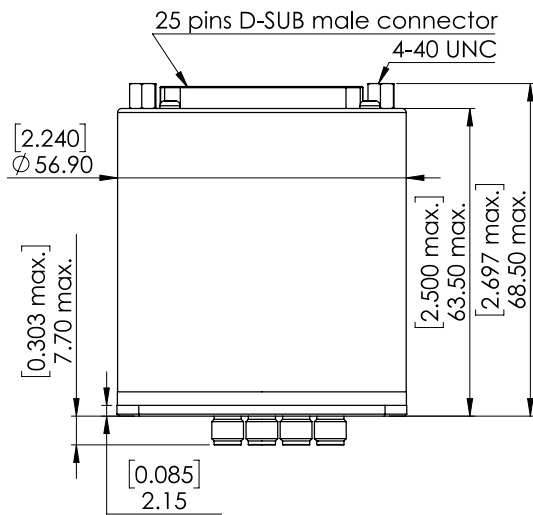
SERIE : SPnT

PART NUMBER : R574G53505

**DRAWING**



| Voltage   | RF Continuity  | Ind. |
|-----------|----------------|------|
| -C +RESET | All ports open | - -  |
| -C +1     | IN ↔ 1         | D.G  |
| -C +2     | IN ↔ 2         | D.H  |
| -C +3     | IN ↔ 3         | D.I  |
| -C +5     | IN ↔ 5         | D.E  |
| -C +6     | IN ↔ 6         | D.F  |



General tolerances : ±0,5 mm [0,02 in]

**SCHEMATIC DIAGRAM**

