

PAGE 1/2

ISSUE 25-11-22

SERIE : SPnT

PART NUMBER : R574F03015

## RF CHARACTERISTICS

Number of ways : **10**  
 Frequency range : **0 - 22 GHz**  
 Impedance : **50 Ohms**

| Frequency (GHz)    | DC - 3         | 3 - 8          | 8 - 12.4       | 12.4 - 15.5    | 15.5 - 18      | 18 - 22        |
|--------------------|----------------|----------------|----------------|----------------|----------------|----------------|
| VSWR max           | <b>1,20</b>    | <b>1,30</b>    | <b>1,40</b>    | <b>1,50</b>    | <b>1,70</b>    | <b>1,80</b>    |
| Insertion loss max | <b>0.20 dB</b> | <b>0.30 dB</b> | <b>0.40 dB</b> | <b>0.50 dB</b> | <b>0.70 dB</b> | <b>0.80 dB</b> |
| Isolation min      | <b>80 dB</b>   | <b>70 dB</b>   | <b>60 dB</b>   | <b>60 dB</b>   | <b>55 dB</b>   | <b>55 dB</b>   |
| Average power (*)  | <b>240 W</b>   | <b>150 W</b>   | <b>120 W</b>   | <b>110 W</b>   | <b>100 W</b>   | <b>90 W</b>    |

TERMINATION IMPEDANCE : **50 Ohms**  
 TERM. AVG. POWER AT 25° C : **1 W per termination / 3 W total power**

## ELECTRICAL CHARACTERISTICS

Actuator : **NORMALLY OPEN**  
 Nominal current \*\* : **102 mA**  
 Actuator voltage (Vcc) : **28V (24 to 30V) / POSITIVE COMMON**  
 Terminals : **25 pins D-SUB male connector**

## MECHANICAL CHARACTERISTICS

Connectors : **SMA female per MIL-C 39012**  
 Life : **2 million cycles per position**  
 Switching Time\*\*\* : **< 15 ms**  
 Construction : **Splashproof**  
 Weight : **< 360 g**

## ENVIRONMENTAL CHARACTERISTICS

Operating temperature range : **-40°C to +85°C**  
 Storage temperature range : **-55°C to +85°C**

(\* Average power at 25°C per RF Path)

(\*\* At 25° C ±10%)

(\*\*\* Nominal voltage ; 25° C)



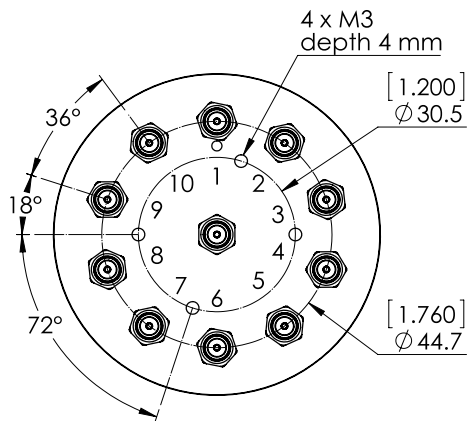
PAGE 2/2

ISSUE 25-11-22

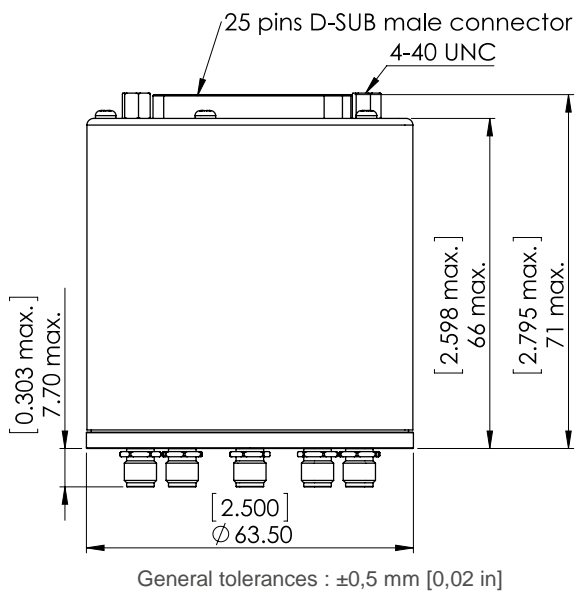
SERIE : SPnT

PART NUMBER : R574F03015

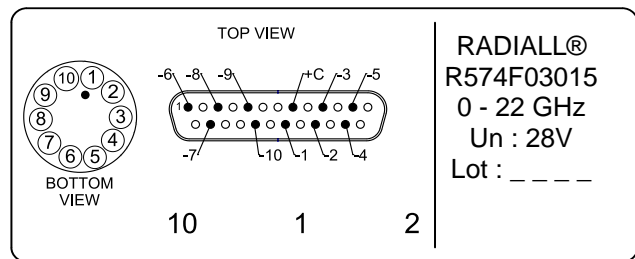
**DRAWING**



| Voltage | RF Continuity |
|---------|---------------|
| +C -1   | IN ↔ 1        |
| +C -2   | IN ↔ 2        |
| +C -3   | IN ↔ 3        |
| +C -4   | IN ↔ 4        |
| +C -5   | IN ↔ 5        |
| +C -6   | IN ↔ 6        |
| +C -7   | IN ↔ 7        |
| +C -8   | IN ↔ 8        |
| +C -9   | IN ↔ 9        |
| +C -10  | IN ↔ 10       |



**LABEL**



**SCHEMATIC DIAGRAM**

