

PAGE 1/2

ISSUE 16.06.13

SERIE : SPnT

PART NUMBER : R574822420

## RF CHARACTERISTICS

Number of ways : 4  
 Frequency range : 0 - 40 GHz  
 Impedance : 50 Ohms

| Frequency (GHz)    | DC - 6  | 6 - 12.4 | 12.4 - 18 | 18 - 26.5 | 26.5 - 40 |
|--------------------|---------|----------|-----------|-----------|-----------|
| VSWR max           | 1.30    | 1.40     | 1.50      | 1.70      | 2.20      |
| Insertion loss max | 0.20 dB | 0.40 dB  | 0.50 dB   | 0.70 dB   | 1.10 dB   |
| Isolation min      | 70 dB   | 60 dB    | 60 dB     | 55 dB     | 50 dB     |
| Average power (*)  | 40 W    | 30 W     | 25 W      | 15 W      | 5 W       |

TERMINATION IMPEDANCE : 50 Ohms  
 TERM. AVG. POWER AT 25° C : 1 W per termination / 3 W total power

## ELECTRICAL CHARACTERISTICS

Actuator : LATCHING  
 Nominal current \*\* : 320 mA / RESET : 1280 mA \*\*\*\*  
 Actuator voltage (Vcc) : 12V (10.2 to 13V)  
 Terminals : solder pins (250°C max. / 30 sec.)  
 TTL inputs (E) - High level : 2.2 to 5.5 V / 800µA at 5.5 V  
 - Low level : 0 to 0.8 V / 20µA at 0.8 V

## MECHANICAL CHARACTERISTICS

Connectors : SMA 2.9 female per MIL-C 39012  
 Life : 2.000.000 cycles per position  
 Switching Time\*\*\* : < 15 ms  
 Construction : Splashproof  
 Weight : < 250 g

## ENVIRONMENTAL CHARACTERISTICS

Operating temperature range : -40°C to +85°C  
 Storage temperature range : -55°C to +85°C

(\* Average power at 25°C per RF Path)  
 (\*\* At 25° C ±10%)  
 (\*\*\*) Nominal voltage ; 25° C)  
 (\*\*\*\* Reset : supply voltage time 1sec. max. / duty cycle 10%)



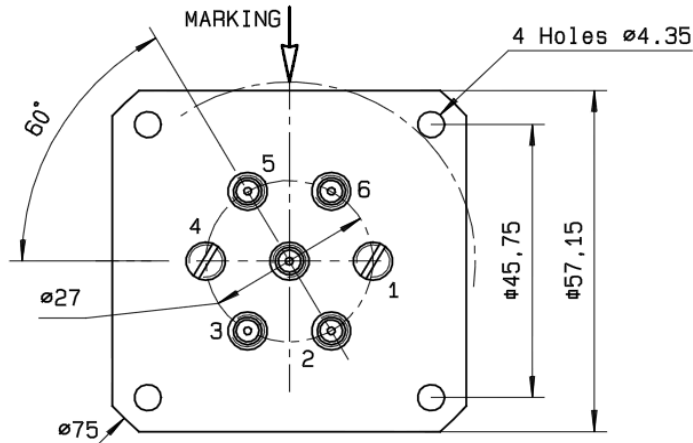
PAGE 2/2

ISSUE 16.06.13

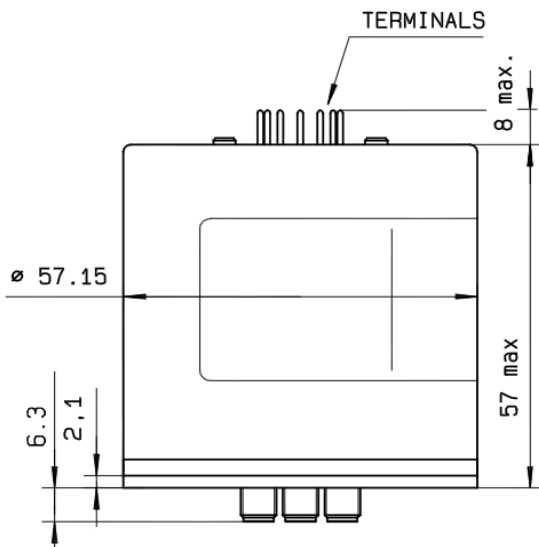
SERIE : SPnT

PART NUMBER : R574822420

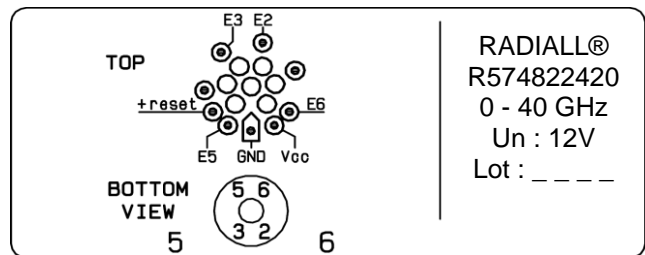
DRAWING



| TTL input | RF Continuity  |
|-----------|----------------|
| RESET = 1 | All ports open |
| E2 = 1    | IN ↔ 2         |
| E3 = 1    | IN ↔ 3         |
| E5 = 1    | IN ↔ 5         |
| E6 = 1    | IN ↔ 6         |



**LABEL**



RADIALL®  
R574822420  
0 - 40 GHz  
Un : 12V  
Lot : \_ \_ \_ \_



General tolerances : ±0.5 mm

SCHEMATIC DIAGRAM

