

PAGE 1/2

ISSUE 09-03-21

SERIE : SPnT

PART NUMBER : R573913385

RF CHARACTERISTICS

Number of ways : **3**
 Frequency range : **0 - 2.5 GHz**
 Impedance : **75 Ohms**

Frequency (GHz)	DC - 1	1 - 2.5
VSWR max	1.30	1.40
Insertion loss max	0.20 dB	0.30 dB
Isolation min	80 dB	70 dB
Average power (*)	400 W	240 W

ELECTRICAL CHARACTERISTICS

Actuator : **NORMALLY OPEN**
 Nominal current ** : **102 mA**
 Actuator voltage (Vcc) : **28V (24 to 30V)**
 Terminals : **25 pins D-SUB male connector**
 Indicator rating : **1 W / 30 V / 100 mA**
 BCD inputs (E) - High level : **3.5 to 5.5 V / 800µA at 5.5 V**
 - Low level : **0 to 1.5 V / 20µA at 0.8 V**

MECHANICAL CHARACTERISTICS

Connectors : **1.6/5.6 female per IEC 169-13**
 Life : **2 million cycles per position**
 Switching Time*** : **< 15 ms**
 Construction : **Splashproof**
 Weight : **< 220 g**

ENVIRONMENTAL CHARACTERISTICS

Operating temperature range : **-25°C to +70°C**
 Storage temperature range : **-40°C to +85°C**

(* Average power at 25°C per RF Path)

(** At 25° C ±10%)

(*** Nominal voltage ; 25° C)



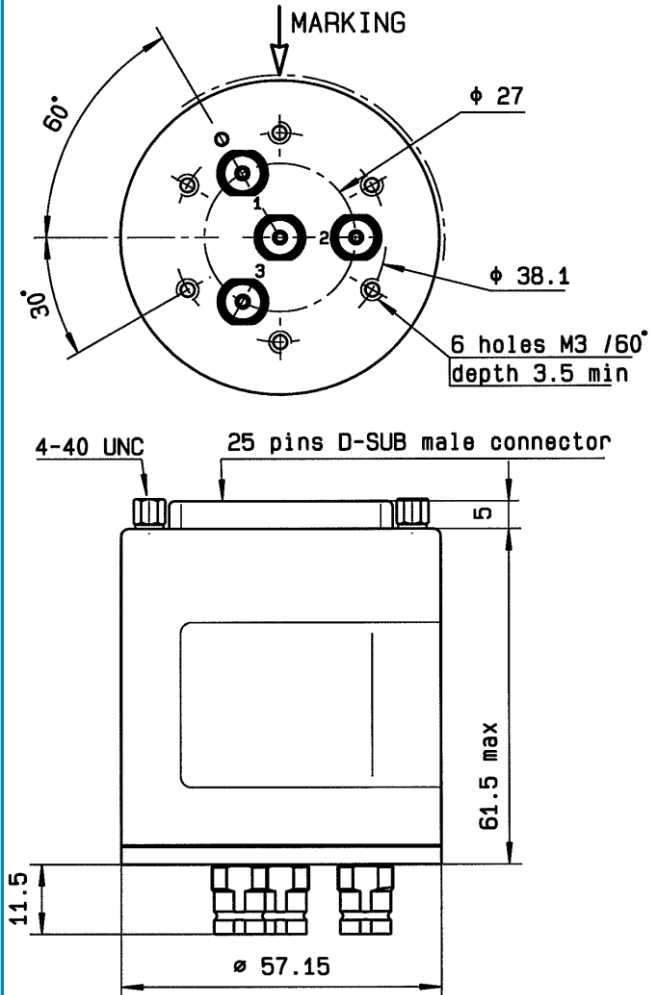
PAGE 2/2

ISSUE 09-03-21

SERIE : SPnT

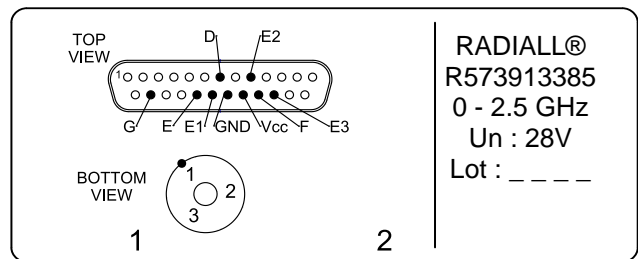
PART NUMBER : R573913385

DRAWING



BCD TRUTH TABLE				
E3	E2	E1	RF continuity	Ind.
0	0	0	Last Position	--
1	1	1	All ports open	--
0	0	1	IN ↔ 1	D.E
0	1	0	IN ↔ 2	D.F
0	1	1	IN ↔ 3	D.G

LABEL



General tolerances : ±0,5 mm [0,02 in]

SCHEMATIC DIAGRAM

