

Description : SP4T 3GHz BNC LATCHING 28V D-SUB SWITCH
 Options : SELF CUT-OFF / AUTO RESET / SUPP. DIODES

Issue 12.12.12
 Page 1/2

RF CHARACTERISTICS

Number of ways : 4
 Frequency range : 0 - 3 GHz
 Impedance : 50 Ohms

Frequency (GHz)	0 - 3
VSWR max	1.20
Insertion loss max	0.20 dB
Isolation min	80 dB
Average power (*)	400 W

ELECTRICAL CHARACTERISTICS

Actuator : LATCHING
 Nominal current ** : 250 mA
 Actuator voltage (Vcc) : 28V (24 to 30V) / NEGATIVE COMMON
 Terminals : 25 pins D-SUB male connector
 Self cut-off time : 40 ms < CT < 120 ms

MECHANICAL CHARACTERISTICS

Connectors : BNC female per MIL-C 39012
 Life : 2.000.000 cycles per position
 Switching Time*** : < 40 ms
 Construction : Splashproof
 Weight : < 460 g

ENVIRONMENTAL CHARACTERISTICS

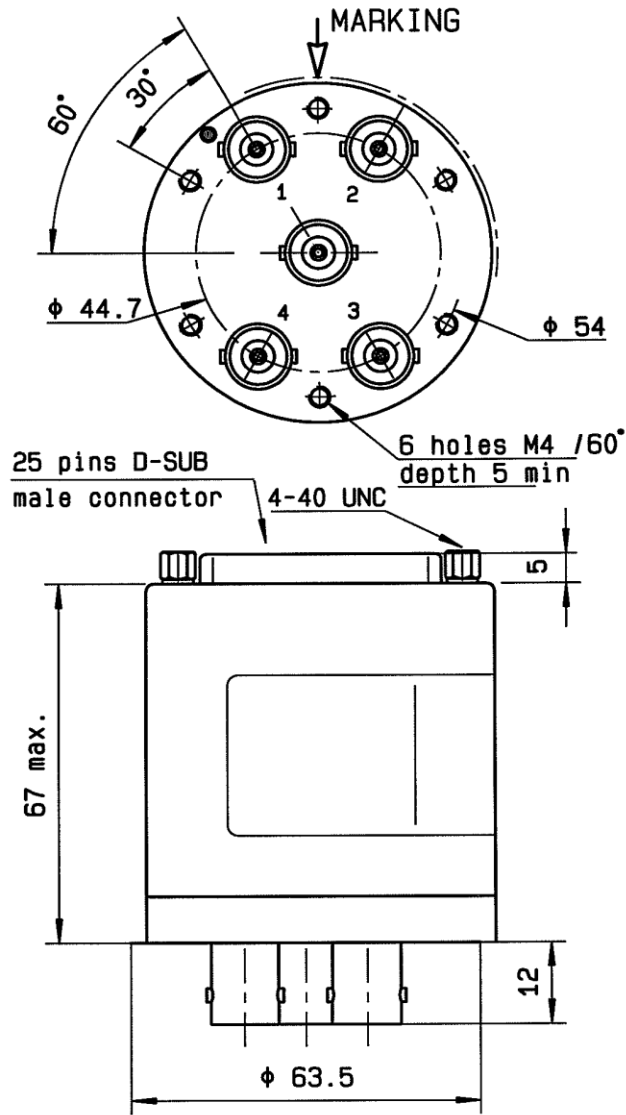
Operating temperature range : -40°C to +85°C
 Storage temperature range : -55°C to +85°C



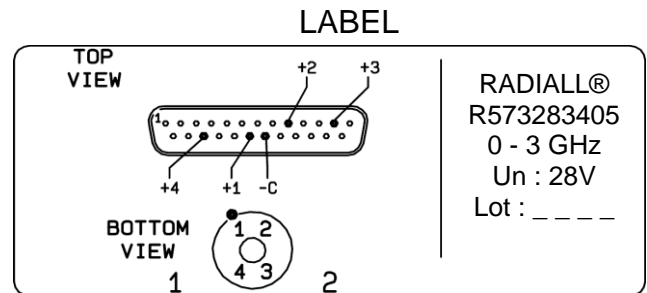
(* Average power at 25°C per RF Path)
 (** At 25° C ±10%)
 (***) Nominal voltage ; 25° C)

This information is given as an indication. In order to improve our products, we reserve the right to make any modifications judged necessary

DRAWING

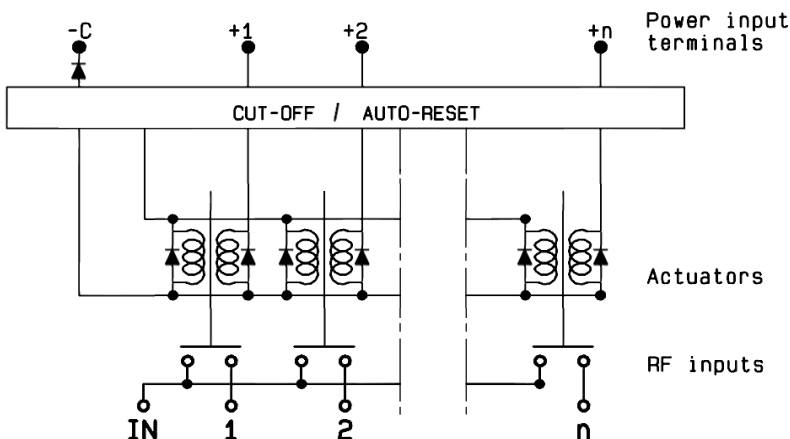


Voltage	RF Continuity
-C +1	IN ↔ 1
-C +2	IN ↔ 2
-C +3	IN ↔ 3
-C +4	IN ↔ 4



General tolerances : ±0.5 mm

SCHEMATIC DIAGRAM



This information is given as an indication. In order to improve our products, we reserve the right to make any modifications judged necessary