

Description : SP6T 3GHz BNC LATCHING 28V D-SUB SWITCH
 Options : INDICATOR / TTL DRIVE / SUPP. DIODES

Issue 12.12.12

Page 1/2

RF CHARACTERISTICS

Number of ways : 6
 Frequency range : 0 - 3 GHz
 Impedance : 50 Ohms

Frequency (GHz)	0 - 3
VSWR max	1.20
Insertion loss max	0.20 dB
Isolation min	80 dB
Average power (*)	400 W

ELECTRICAL CHARACTERISTICS

Actuator : LATCHING
 Nominal current ** : 125 mA / RESET : 750 mA ****
 Actuator voltage (Vcc) : 28V (24 to 30V) / NEGATIVE COMMON
 Terminals : 25 pins D-SUB male connector
 Indicator rating : 1 W / 30 V / 100 mA
 TTL inputs (E) - High level : 2.2 to 5.5 V / 800µA at 5.5 V
 - Low level : 0 to 0.8 V / 20µA at 0.8 V

MECHANICAL CHARACTERISTICS

Connectors : BNC female per MIL-C 39012
 Life : 2.000.000 cycles per position
 Switching Time*** : < 15 ms
 Construction : Splashproof
 Weight : < 460 g

ENVIRONMENTAL CHARACTERISTICS

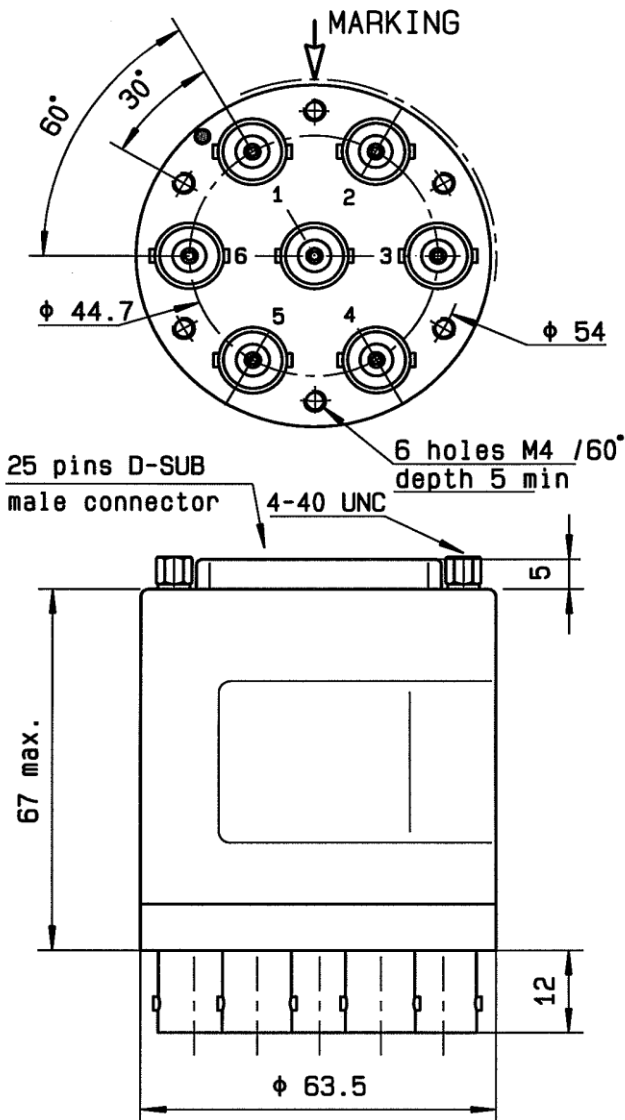
Operating temperature range : -40°C to +85°C
 Storage temperature range : -55°C to +85°C



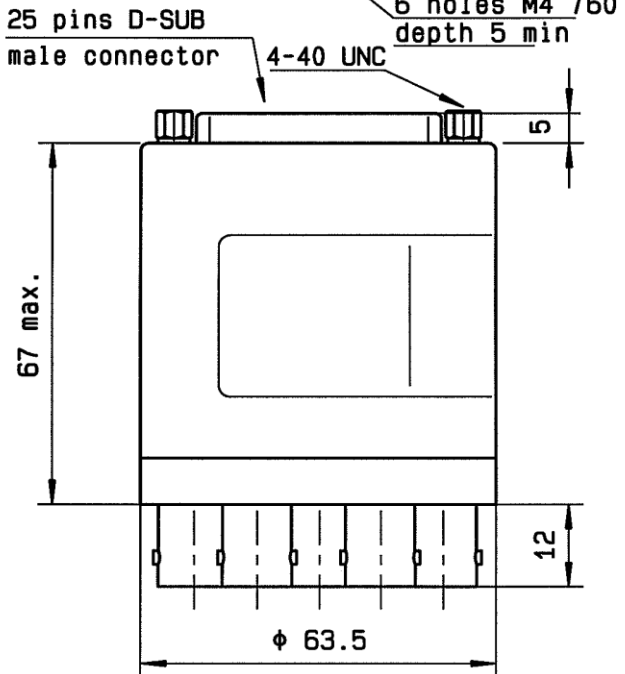
(* Average power at 25°C per RF Path)
 (** At 25° C ±10%)
 (***) Nominal voltage ; 25° C)
 (**** Reset : supply voltage time 1sec. max. / duty cycle 10%)

This information is given as an indication. In order to improve our products, we reserve the right to make any modifications judged necessary

DRAWING

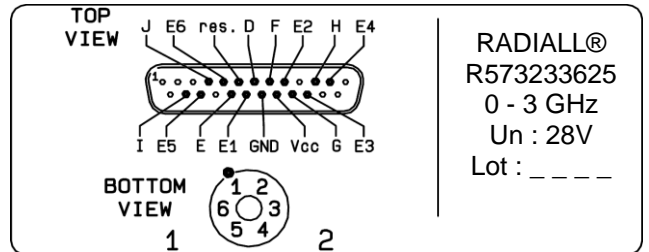


TTL input	RF Continuity	Ind.
RESET = 1	All ports open	- -
E1 = 1	IN ↔ 1	D.E
E2 = 1	IN ↔ 2	D.F
E3 = 1	IN ↔ 3	D.G
E4 = 1	IN ↔ 4	D.H
E5 = 1	IN ↔ 5	D.I
E6 = 1	IN ↔ 6	D.J

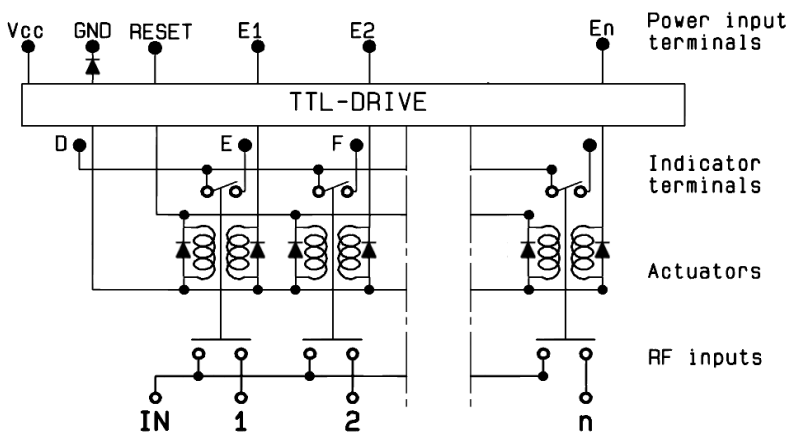


General tolerances : ±0.5 mm

LABEL



SCHEMATIC DIAGRAM



This information is given as an indication. In order to improve our products, we reserve the right to make any modifications judged necessary