

PAGE 1/2

ISSUE 09-04-19

SERIE : SPnT

PART NUMBER : R573113380

RF CHARACTERISTICS

Number of ways : 3
Frequency range : 0 - 12.4 GHz
Impedance : 50 Ohms

| Frequency (GHz) | DC - 3 | 3 - 8 | 8 - 12.4 |
|--------------------|---------|---------|----------|
| VSWR max | 1.20 | 1.35 | 1.50 |
| Insertion loss max | 0.20 dB | 0.35 dB | 0.50 dB |
| Isolation min | 80 dB | 70 dB | 60 dB |
| Average power (*) | 400 W | 250 W | 200 W |

ELECTRICAL CHARACTERISTICS

Actuator : **NORMALLY OPEN**
Nominal current ** : 102 mA
Actuator voltage (Vcc) : 28V (24 to 30V)
Terminals : solder pins (250°C max. / 30 sec.)
Indicator rating : 1 W / 30 V / 100 mA
BCD inputs (E) - High level : 3.5 to 5.5 V / 800µA at 5.5 V
- Low level : 0 to 1.5 V / 20µA at 0.8 V

MECHANICAL CHARACTERISTICS

Connectors : N female per MIL-C 39012
Life : 2 million cycles per position
Switching Time*** : < 15 ms
Construction : Splashproof
Weight : < 460 g

ENVIRONMENTAL CHARACTERISTICS

Operating temperature range : -40°C to +85°C
Storage temperature range : -55°C to +85°C

(* Average power at 25°C per RF Path)

(** At 25° C ±10%)

(*** Nominal voltage ; 25° C)



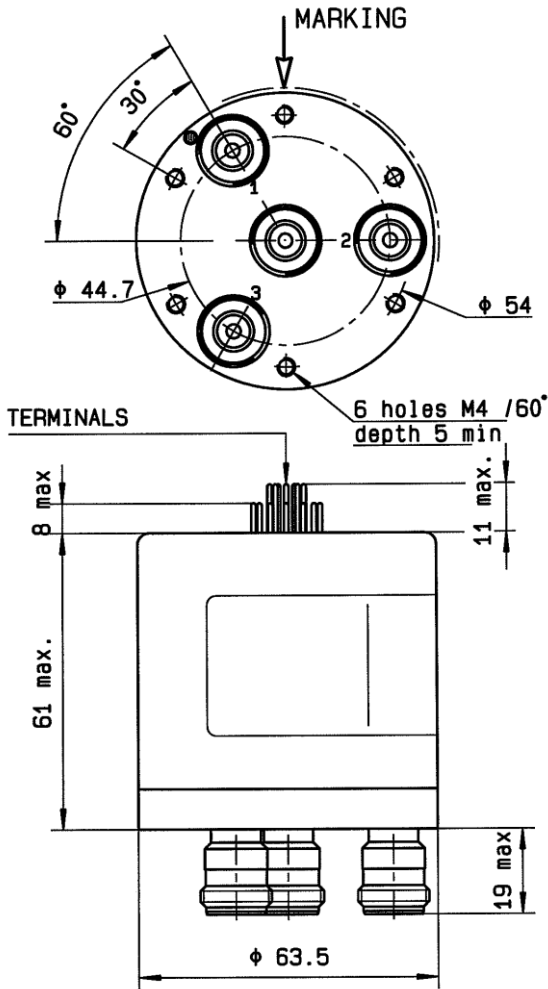
PAGE 2/2

ISSUE 09-04-19

SERIE : SPnT

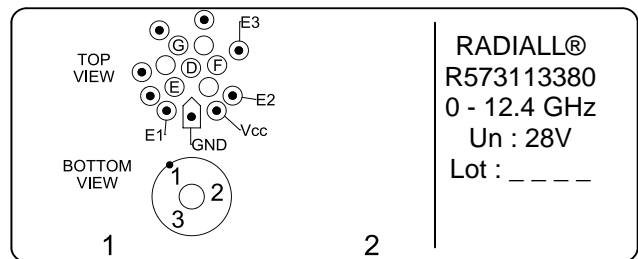
PART NUMBER : R573113380

DRAWING



| BCD TRUTH TABLE | | | | |
|-----------------|----|----|----------------|------|
| E3 | E2 | E1 | RF continuity | Ind. |
| 0 | 0 | 0 | Last Position | -- |
| 1 | 1 | 1 | All ports open | -- |
| 0 | 0 | 1 | IN ↔ 1 | D.E |
| 0 | 1 | 0 | IN ↔ 2 | D.F |
| 0 | 1 | 1 | IN ↔ 3 | D.G |

LABEL



General tolerances : ±0,5 mm [0,02 in]

SCHEMATIC DIAGRAM

