

PAGE 1/2

ISSUE 10-05-19

SERIE : SPnT

PART NUMBER : R573113325

## RF CHARACTERISTICS

Number of ways : **3**  
 Frequency range : **0 - 12.4 GHz**  
 Impedance : **50 Ohms**

| Frequency (GHz)    | DC - 3         | 3 - 8          | 8 - 12.4       |
|--------------------|----------------|----------------|----------------|
| VSWR max           | <b>1.20</b>    | <b>1.35</b>    | <b>1.50</b>    |
| Insertion loss max | <b>0.20 dB</b> | <b>0.35 dB</b> | <b>0.50 dB</b> |
| Isolation min      | <b>80 dB</b>   | <b>70 dB</b>   | <b>60 dB</b>   |
| Average power (*)  | <b>400 W</b>   | <b>250 W</b>   | <b>200 W</b>   |

## ELECTRICAL CHARACTERISTICS

Actuator : **NORMALLY OPEN**  
 Nominal current \*\* : **102 mA**  
 Actuator voltage (Vcc) : **28V (24 to 30V)**  
 Terminals : **25 pins D-SUB male connector**  
 Indicator rating : **1 W / 30 V / 100 mA**  
 TTL inputs (E) - High level : **2.2 to 5.5 V / 800µA at 5.5 V**  
 - Low level : **0 to 0.8 V / 20µA at 0.8 V**

## MECHANICAL CHARACTERISTICS

Connectors : **N female per MIL-C 39012**  
 Life : **2 million cycles per position**  
 Switching Time\*\*\* : **< 15 ms**  
 Construction : **Splashproof**  
 Weight : **< 460 g**

## ENVIRONMENTAL CHARACTERISTICS

Operating temperature range : **-40°C to +85°C**  
 Storage temperature range : **-55°C to +85°C**

(\* Average power at 25°C per RF Path)

(\*\* At 25° C ±10%)

(\*\*\* Nominal voltage ; 25° C)



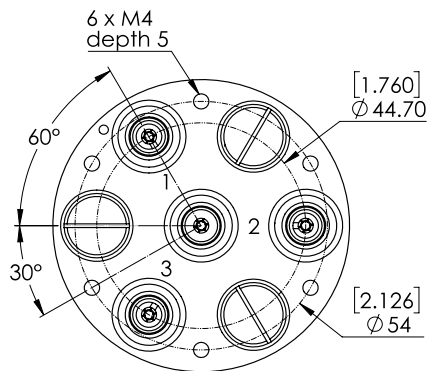
PAGE 2/2

ISSUE 10-05-19

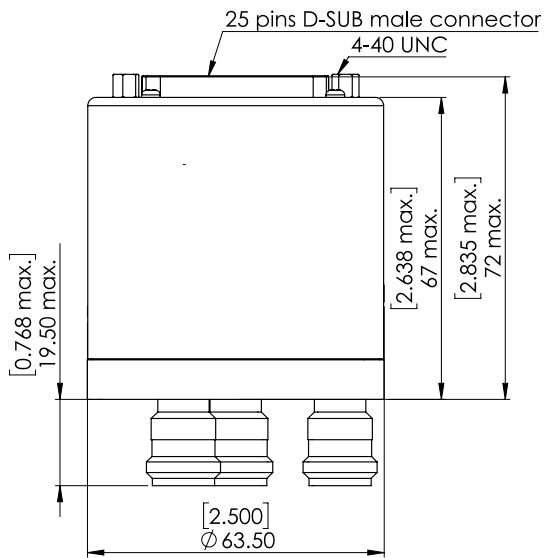
SERIE : SPnT

PART NUMBER : R573113325

**DRAWING**

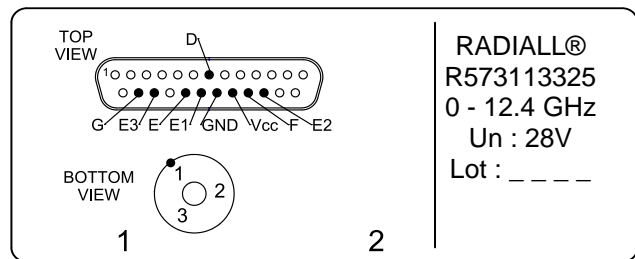


| TTL input | RF Continuity | Ind. |
|-----------|---------------|------|
| E1 = 1    | IN ↔ 1        | D.E  |
| E2 = 1    | IN ↔ 2        | D.F  |
| E3 = 1    | IN ↔ 3        | D.G  |



General tolerances : ±0,5 mm [0,02 in]

**LABEL**



**SCHEMATIC DIAGRAM**

