

Description : SP3T 3GHz N LATCHING 12V SWITCH  
 Options : SUPP. DIODES

Issue 12.12.12

Page 1/2

**RF CHARACTERISTICS**

Number of ways : 3  
 Frequency range : 0 - 3 GHz  
 Impedance : 50 Ohms

Frequency (GHz)	0 - 3
VSWR max	1.20
Insertion loss max	0.20 dB
Isolation min	80 dB
Average power (*)	400 W

**ELECTRICAL CHARACTERISTICS**

Actuator : LATCHING  
 Nominal current \*\* : 320 mA / RESET : 960 mA \*\*\*\*  
 Actuator voltage (Vcc) : 12V (10.2 to 13V) / NEGATIVE COMMON  
 Terminals : solder pins (250°C max. / 30 sec.)

**MECHANICAL CHARACTERISTICS**

Connectors : N female per MIL-C 39012  
 Life : 2.000.000 cycles per position  
 Switching Time\*\*\* : < 15 ms  
 Construction : Splashproof  
 Weight : < 460 g

**ENVIRONMENTAL CHARACTERISTICS**

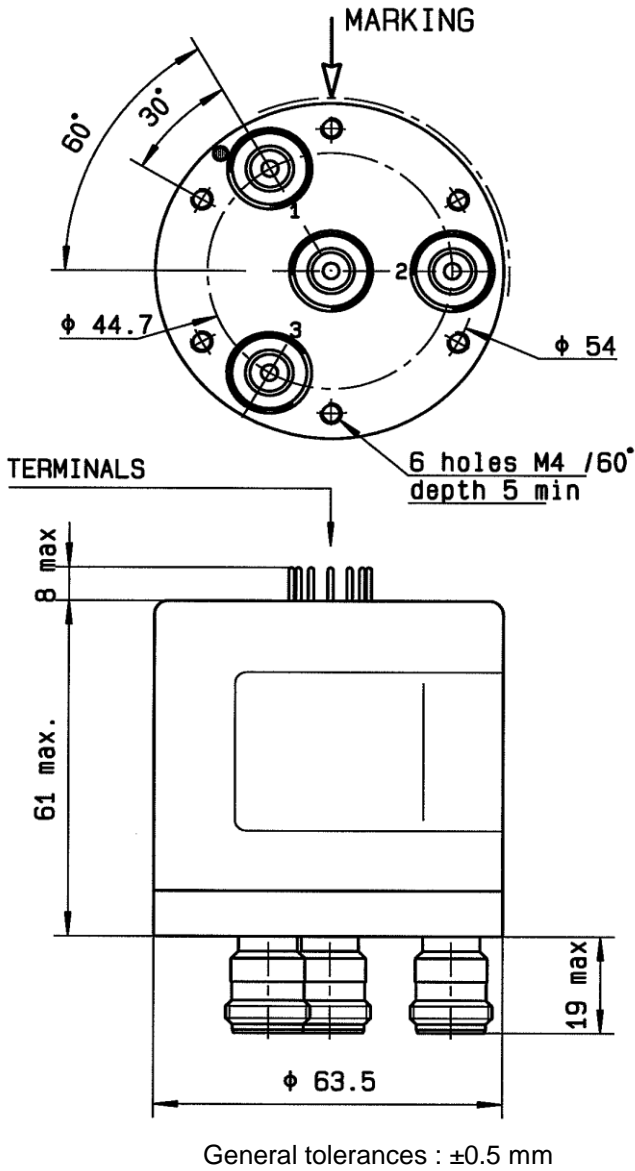
Operating temperature range : -40°C to +85°C  
 Storage temperature range : -55°C to +85°C



(\* Average power at 25°C per RF Path)  
 (\*\* At 25° C ±10%)  
 (\*\*\*) Nominal voltage ; 25° C)  
 (\*\*\*\* Reset : supply voltage time 1sec. max. / duty cycle 10%)

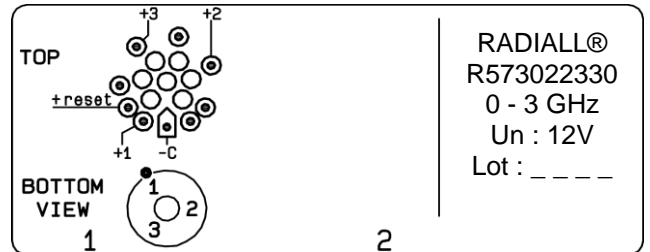
This information is given as an indication. In order to improve our products, we reserve the right to make any modifications judged necessary

**DRAWING**

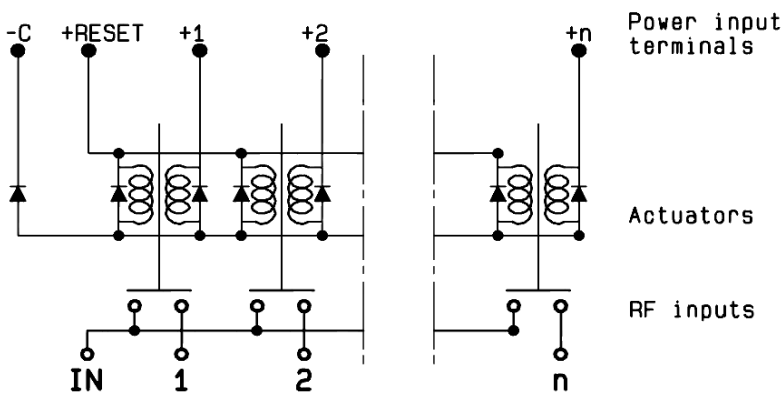


Voltage	RF Continuity
-C +RESET	All ports open
-C +1	IN ↔ 1
-C +2	IN ↔ 2
-C +3	IN ↔ 3

**LABEL**



**SCHEMATIC DIAGRAM**



This information is given as an indication. In order to improve our products, we reserve the right to make any modifications judged necessary