

PAGE 1/2

ISSUE 10-07-19

SERIE : SPDT

PART NUMBER : R570J62100

RF CHARACTERISTICS

Frequency range : 0 - 50 GHz
 Impedance : 50 Ohms

Frequency (GHz)	DC - 6	6 - 12.4	12.4 - 18	18 - 26.5	26.5 - 40	40 - 50
VSWR max	1.30	1.40	1.50	1.70	1.90	1.90
Insertion loss max	0.30 dB	0.40 dB	0.50 dB	0.70 dB	0.80 dB	1.10 dB
Isolation min	70 dB	60 dB	60 dB	55 dB	50 dB	50 dB
Average power (*)	80 W	60 W	50 W	20 W	10 W	5 W

ELECTRICAL CHARACTERISTICS

Actuator : LATCHING
 Nominal current ** : 210 mA
 Actuator voltage (Vcc) : 12V (10.2 to 13V)
 Terminals : solder pins (250°C max. / 30 sec.)
 Indicator rating : 1 W / 30 V / 100 mA
 Self cut-off time : 40 ms < CT < 120 ms
 TTL inputs (E) - High level : 2.2 to 5.5 V / 800µA at 5.5 V
 - Low level : 0 to 0.8 V / 20µA at 0.8 V

MECHANICAL CHARACTERISTICS

Connectors : 2.4mm female (According to IEEE STD 287)
 Life : 2 million cycles
 Switching Time*** : < 10 ms
 Construction : Splashproof
 Weight : < 45 g

ENVIRONMENTAL CHARACTERISTICS

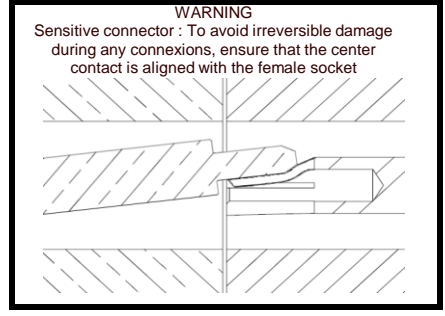
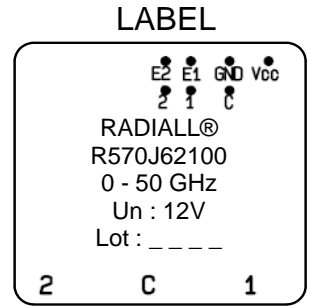
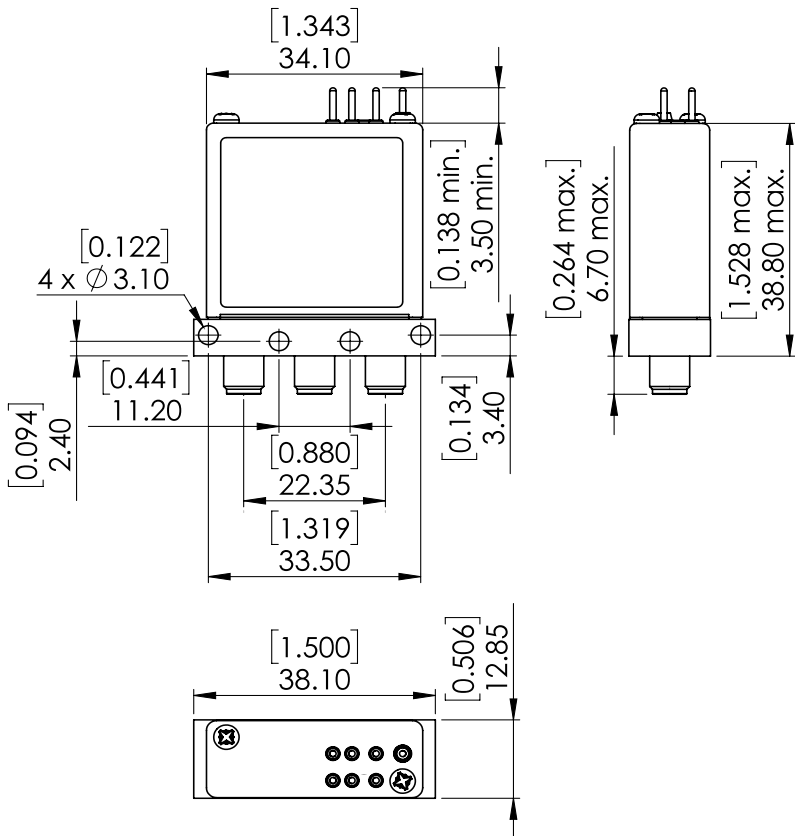
Operating temperature range : -25°C to +70°C
 Storage temperature range : -40°C to +85°C

- (* Average power at 25°C per RF Path)
- (** At 25° C ±10%)
- (*** Nominal voltage ; 25° C)



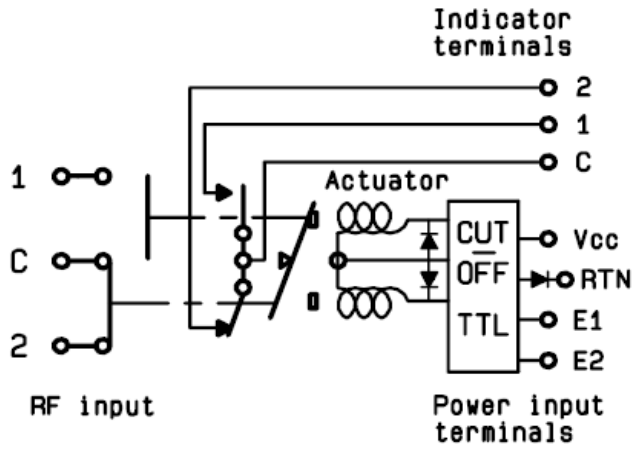
PAGE 2/2	ISSUE 10-07-19	SERIE : SPDT	PART NUMBER : R570J62100
----------	----------------	--------------	--------------------------

DRAWING



General tolerances : ±0,5 mm [0,02 in]

SCHEMATIC DIAGRAM



TTL input	RF Continuity	Ind.
E1=1 / E2=0	C ↔ 1	C.1
E1=0 / E2=1	C ↔ 2	C.2
E1=0 / E2=0	Memory	-
E1=1 / E2=1	Forbidden	-