



18 GHz TNC LATCHING S.P.D.T. SWITCH

OPTIONS: / TTL DRIVE

R F CHARACTERISTICS

FREQUENCY RANGE : 0 - 18 GHz
IMPEDANCE : 50 Ohms

| | | | |
|-----------------|---------|----------|-----------|
| FREQUENCY (GHz) | 0 - 6 | 6 - 12.4 | 12.4 - 18 |
| V.S.W.R <= | 1.30 | 1.50 | 1.60 |
| INSERT. LOSS <= | 0.30 dB | 0.50 dB | 0.70 dB |
| ISOLATION >= | 70 dB | 60 dB | 60 dB |
| AVER. POWER (*) | 285 W | 200 W | 165 W |

ELECTRICAL CHARACTERISTICS

ACTUATOR : LATCHING
NOMINAL CURRENT AT 25° C (±10%) : 320 mA
ACTUATOR VOLTAGE (Vcc) : 12V (10.2 to 13V) /NEGATIVE COMMON
TERMINALS : solder pins (250 Deg.C max./30 sec)
TTL INPUTS (E) - High level : 2.2 to 5.5V / 800µA at 5V
- Low level : 0 to 0.8V / 20µA at 0.8V

MECHANICAL CHARACTERISTICS

CONNECTORS : TNC fem. per MIL C 39012
LIFE : 1.000.000 cycles
SWITCHING TIME (nominal voltage;25° C) : < 15 ms
CONSTRUCTION : splashproof
WEIGHT : < 185 g

ENVIRONMENTAL CHARACTERISTICS

OPERATING TEMPERATURE RANGE (°C) : -40 , +85
STORAGE TEMPERATURE RANGE (°C) : -55 , +85

(* : average power at 25° C)

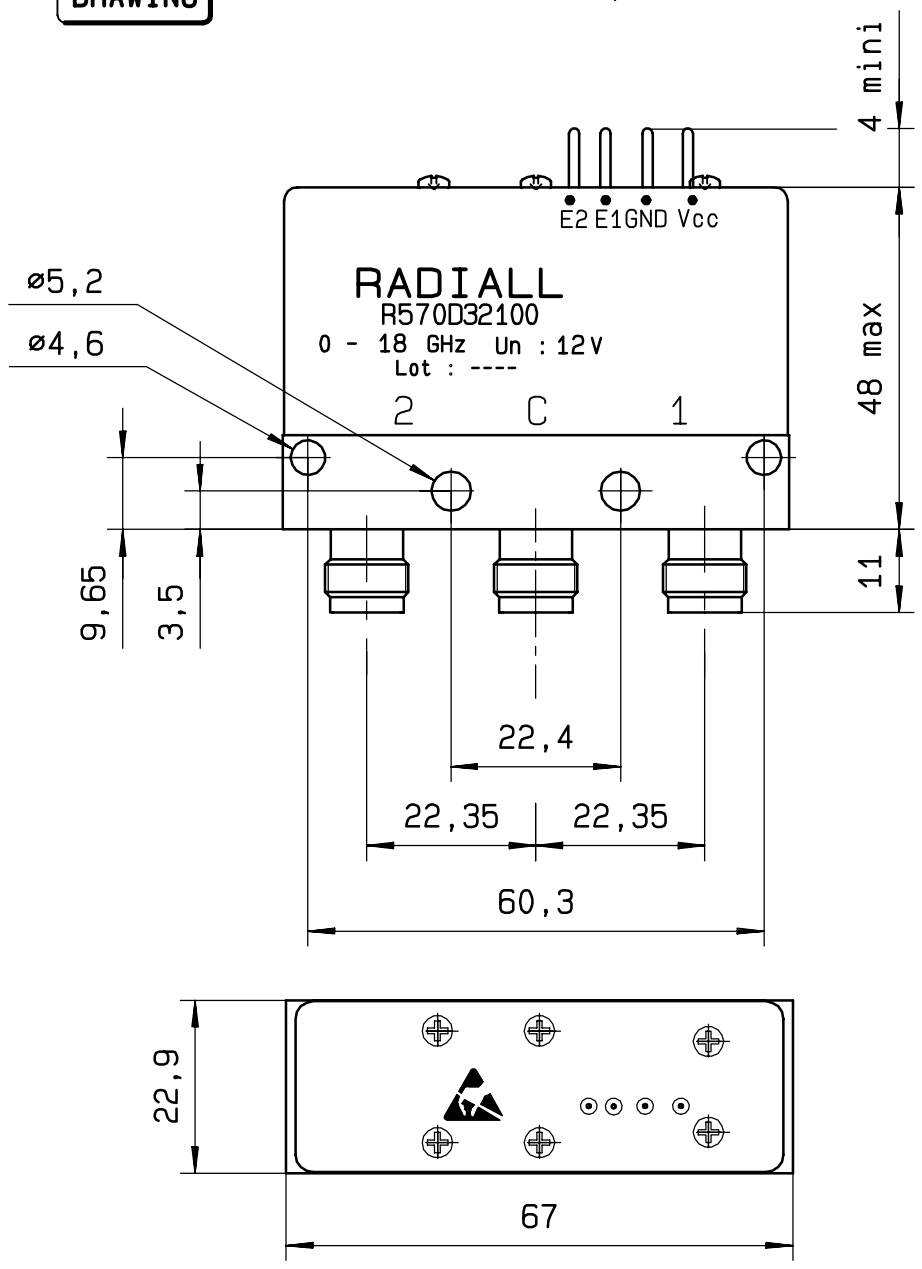
4112-9212 This information is given as an indication. In the continual goal to improve our products, we reserve the right to make any modifications judged necessary

R570 D32.100

DRAWING

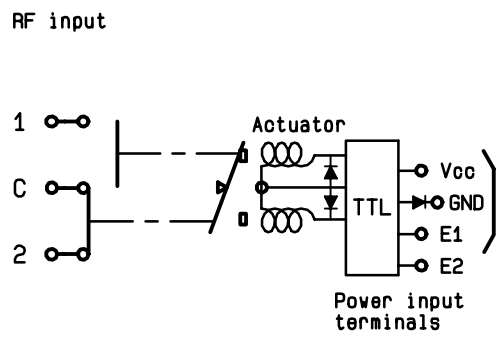
General tolerance: * 0,5 mm

issue Page 2/2



SCHEMATIC DIAGRAM

| TTL input | RF continuity |
|-------------|---------------|
| E1=1 E2=0 | C ↔ 1 |
| E1=0 E2=1 | C ↔ 2 |
| E1=0 E2=0 | Memory |
| E1=1 E2=1 | Forbidden |



4113-9212 This information is given as an indication. In the continual goal to improve our products, we reserve the right to make any modifications judged necessary