

PAGE 1/2

ISSUE 10-05-19

SERIE : SPDT

PART NUMBER : R570D13035

## RF CHARACTERISTICS

Frequency range : **0 - 18 GHz**  
 Impedance : **50 Ohms**

Frequency (GHz)	DC - 6	6 - 12.4	12.4 - 18
VSWR max	<b>1.30</b>	<b>1.50</b>	<b>1.60</b>
Insertion loss max	<b>0.30 dB</b>	<b>0.50 dB</b>	<b>0.70 dB</b>
Isolation min	<b>70 dB</b>	<b>60 dB</b>	<b>60 dB</b>
Average power (*)	<b>285 W</b>	<b>200 W</b>	<b>165 W</b>

## ELECTRICAL CHARACTERISTICS

Actuator : **FAILSAFE**  
 Nominal current \*\* : **140 mA**  
 Actuator voltage (Vcc) : **28V (24 to 30V)**  
 Terminals : **9 pins D-SUB male connector**

## MECHANICAL CHARACTERISTICS

Connectors : **TNC female per MIL-C 39012**  
 Life : **2.5 million cycles**  
 Switching Time\*\*\* : **< 15 ms**  
 Construction : **Splashproof**  
 Weight : **< 185 g**

## ENVIRONMENTAL CHARACTERISTICS

Operating temperature range : **-40°C to +85°C**  
 Storage temperature range : **-55°C to +85°C**

(\* Average power at 25°C per RF Path)

(\*\* At 25° C ±10%)

(\*\*\* Nominal voltage ; 25° C)



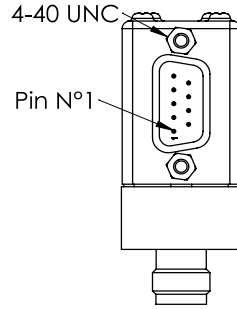
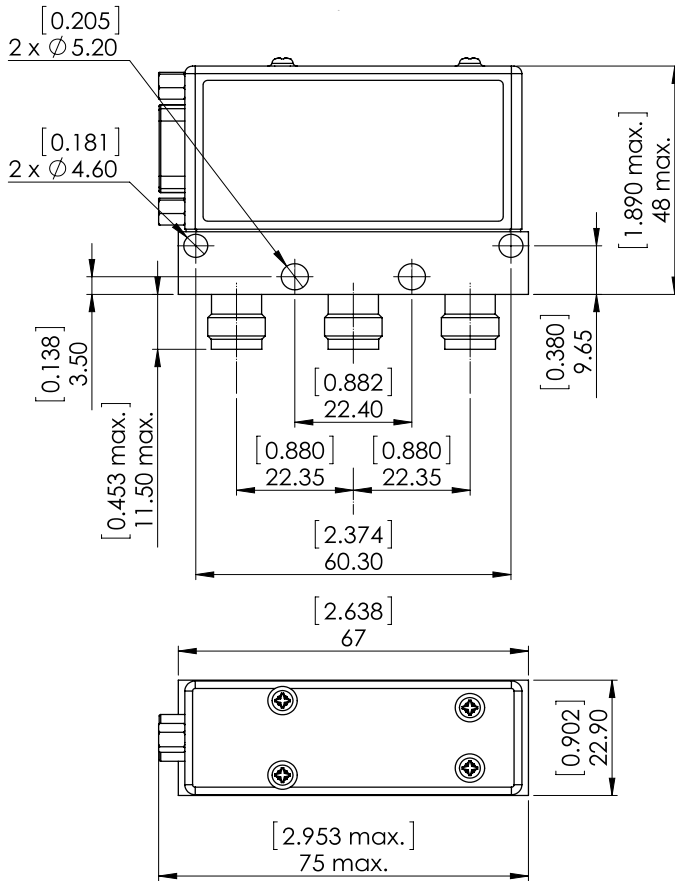
PAGE 2/2

ISSUE 10-05-19

SERIE : SPDT

PART NUMBER : R570D13035

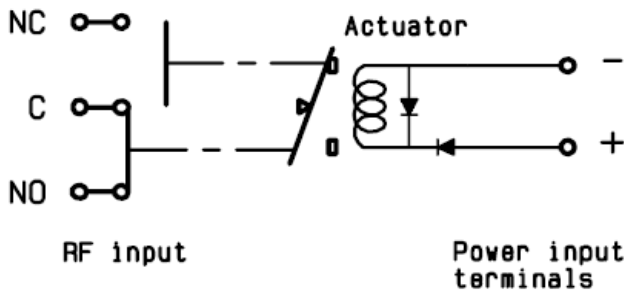
DRAWING



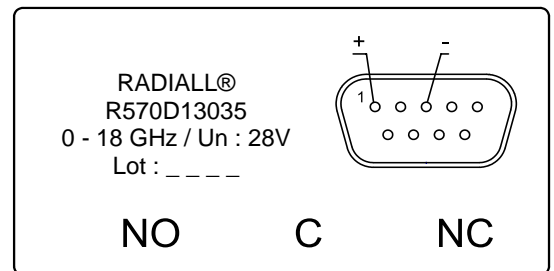
General tolerances :  $\pm 0,5$  mm [0,02 in]

SCHEMATIC DIAGRAM

**Position Energized :**



**LABEL**



Voltage	RF Continuity
De-energized	C ↔ NC
energized	C ↔ NO