

PAGE 1/2

ISSUE 06-02-18

SERIE : SPDT

PART NUMBER : R570063100

## RF CHARACTERISTICS

Frequency range : **0 - 3 GHz**  
 Impedance : **50 Ohms**

| Frequency (GHz)    | DC - 1         | 1 - 2          | 2 - 3          |
|--------------------|----------------|----------------|----------------|
| VSWR max           | <b>1.15</b>    | <b>1.20</b>    | <b>1.25</b>    |
| Insertion loss max | <b>0.15 dB</b> | <b>0.20 dB</b> | <b>0.25 dB</b> |
| Isolation min      | <b>85 dB</b>   | <b>80 dB</b>   | <b>75 dB</b>   |
| Average power (*)  | <b>700 W</b>   | <b>500 W</b>   | <b>400 W</b>   |

## ELECTRICAL CHARACTERISTICS

Actuator : **LATCHING**  
 Nominal current \*\* : **125 mA**  
 Actuator voltage (Vcc) : **28V (24 to 30V)**  
 Terminals : **solder pins (250°C max. / 30 sec.)**  
 Indicator rating : **1 W / 30 V / 100 mA**  
 Self cut-off time : **40 ms < CT < 120 ms**  
 TTL inputs (E) - High level : **2.2 to 5.5 V / 800µA at 5.5 V**  
 - Low level : **0 to 0.8 V / 20µA at 0.8 V**

## MECHANICAL CHARACTERISTICS

Connectors : **N female per MIL-C 39012**  
 Life : **2.5 million cycles**  
 Switching Time\*\*\* : **< 15 ms**  
 Construction : **Splashproof**  
 Weight : **< 185 g**

## ENVIRONMENTAL CHARACTERISTICS

Operating temperature range : **-40°C to +85°C**  
 Storage temperature range : **-55°C to +85°C**

(\* Average power at 25°C per RF Path)

(\*\* At 25° C ±10%)

(\*\*\* Nominal voltage ; 25° C)



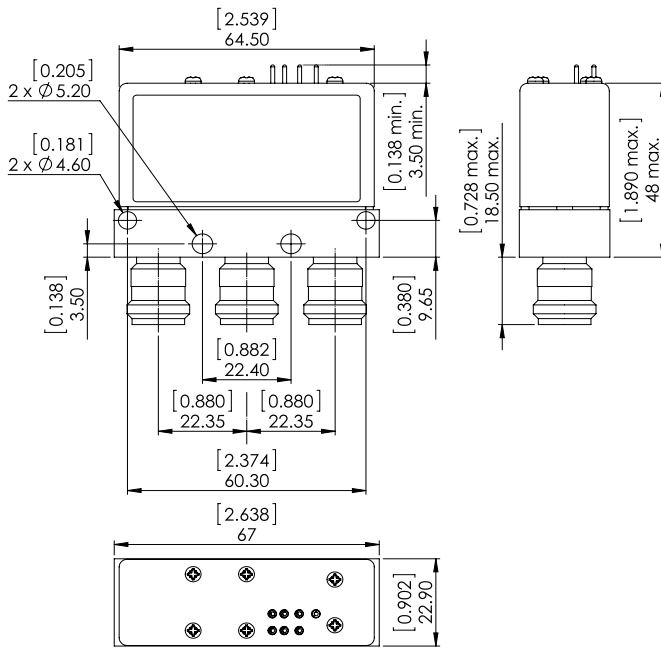
PAGE 2/2

ISSUE 06-02-18

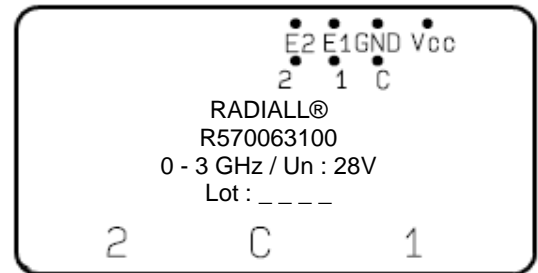
SERIE : SPDT

PART NUMBER : R570063100

**DRAWING**

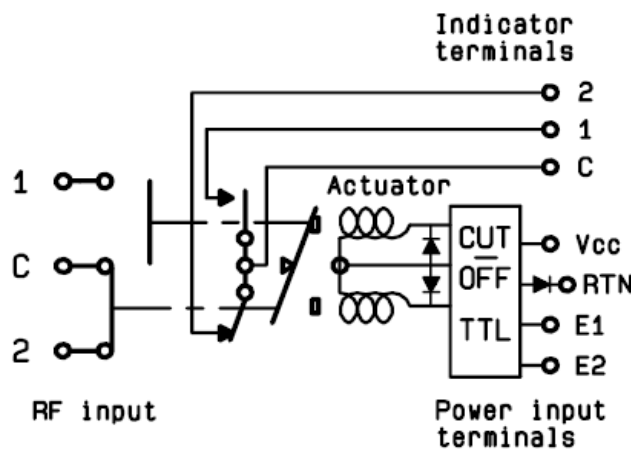


**LABEL**



General tolerances :  $\pm 0,5$  mm [0,02 in]

**SCHEMATIC DIAGRAM**



| TTL input   | RF Continuity | Ind. |
|-------------|---------------|------|
| E1=1 / E2=0 | C ↔ 1         | C.1  |
| E1=0 / E2=1 | C ↔ 2         | C.2  |
| E1=0 / E2=0 | Memory        | -    |
| E1=1 / E2=1 | Forbidden     | -    |