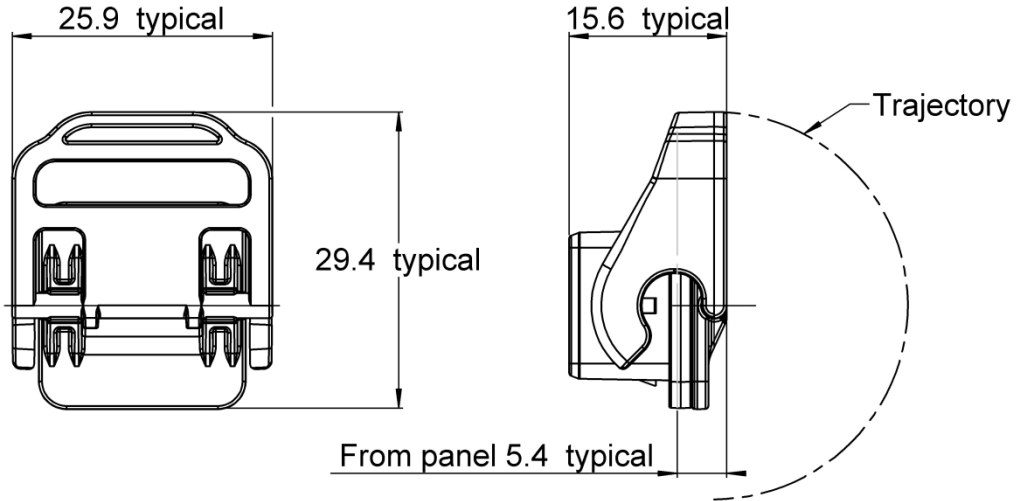
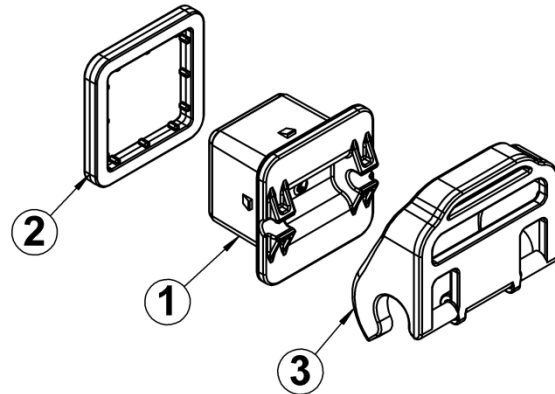
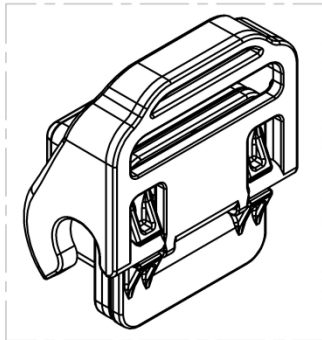


| | | | |
|----------|-----------------|--------------|------------------------|
| PAGE 1/2 | ISSUE 12-03-26A | SERIES OCTIS | PART NUMBER OCT1957550 |
|----------|-----------------|--------------|------------------------|



Packing configuration



All dimensions are in mm.

DESCRIPTION

| REP | COMPONENT | MATERIALS | PLATING |
|-----|--------------------------|-----------|---------|
| 1 | Protective cap | PBT GF | - |
| 2 | Interface sealing gasket | SILICONE | - |
| 3 | Lever | IXEF | - |

| | | | |
|----------|-----------------|--------------|------------------------|
| PAGE 2/2 | ISSUE 12-03-26A | SERIES OCTIS | PART NUMBER OCTI957550 |
|----------|-----------------|--------------|------------------------|

GENERAL CHARACTERISTICS

| | | |
|---|---|--|
| Mechanical Mating endurance (cycles) Vibration Weight (g) | - IEC 60068-2-6 - | 100 10-150-10 Hz 5.1300 |
| Environmental Protection class Operating temperature (°C) Storage temperature (°C) Humidity (damp heat) (%RH) Salt Mist RoHS Flammability UVB Resist | IEC 60529 IEC 61300-2-22 IEC 61300-2-22 IEC 60068-2-78 IEC 61300-2-26 (ISO21207 method B) - UL 94 ASTM G154 cycle 2 | IP67 * -40 / +85 -65 / +85 95%RH for 21 days 720h * Compliant V0 1000h |
| Others: Installation Packaging | - - | For use with standard OCTIS™ panel interface or receptacle ** 28pcs per tray/280pcs per 10L Box |

* Mated condition

** If the interface is to be die casted into the equipment panel, please contact Radiall for license conditions and interface definition

INSTALLATION

