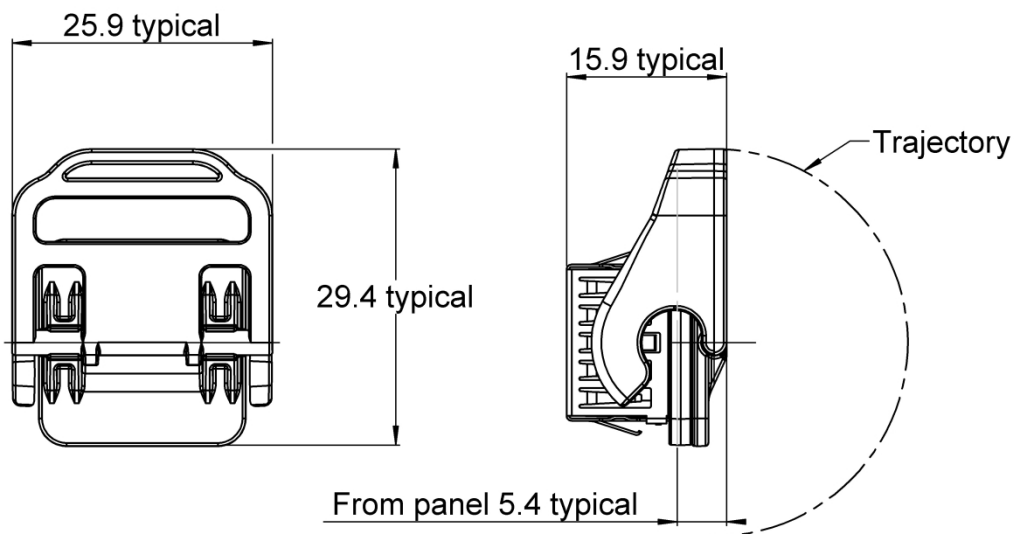
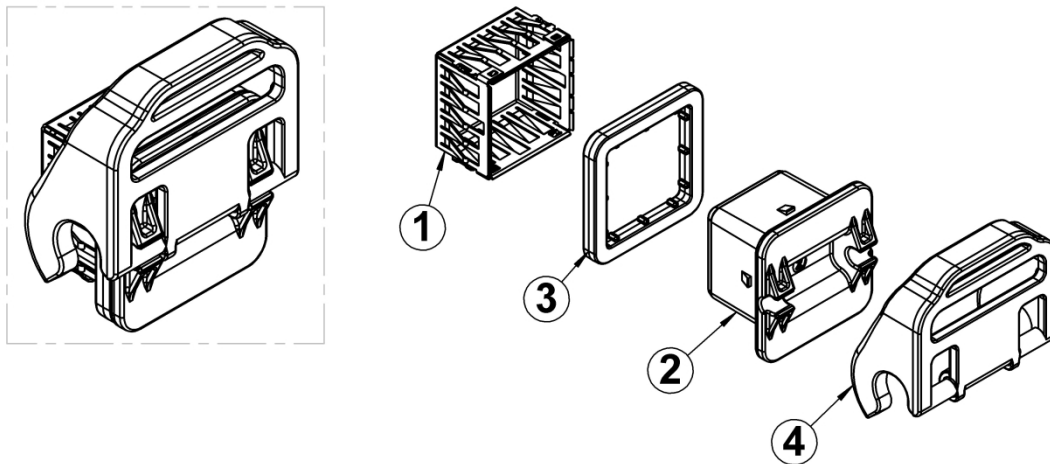


PAGE 1/2	ISSUE 12-03-26A	SERIES OCTIS	PART NUMBER OCT1957500
----------	-----------------	--------------	------------------------



Packing configuration



All dimensions are in mm.

DESCRIPTION

REP	COMPONENT	MATERIALS	PLATING
1	Grounding ring	STAINLESS STEEL	-
2	Protective cap	PBT GF	-
3	Interface sealing gasket	SILICONE	-
4	Lever	IXEF	-

PAGE 2/2	ISSUE 12-03-26A	SERIES OCTIS	PART NUMBER OCTI957500
----------	-----------------	--------------	------------------------

GENERAL CHARACTERISTICS

Mechanical Mating endurance (cycles) Vibration Weight (g)	IEC 61300-2-2 IEC 61300-2-1 -	100 - 6.5100
Environmental Protection class (mated condition) Operating temperature (°C) Storage temperature (°C) Humidity (damp heat) (%RH) Salt Mist RoHS Flammability UVB Resist	IEC 60529 IEC 61300-2-22 IEC 61300-2-22 IEC 61300-2-19 IEC 61300-2-26 (ISO21207 method B) - UL 94 ASTM G154	IP67 (*) -40 / +85 -40 / +85 5 / 95 720h (To be tested) (*) Compliant V0 Compliant
Others: Installation Packaging	- -	For use with standard OCTIS panel interface or receptacle 28pcs per tray/280pcs per 10L Box

(*) When mated with corresponding RADIALL OCTIS interface

INSTALLATION

