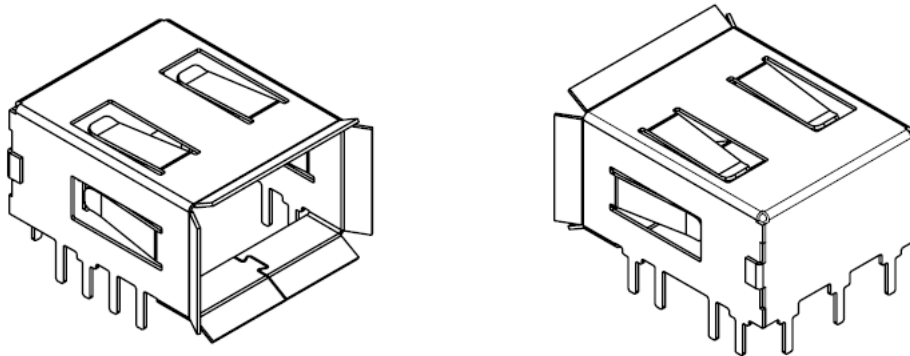
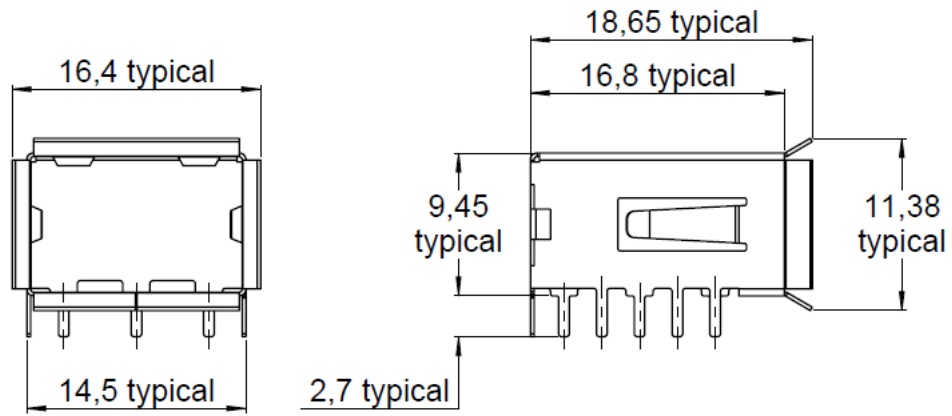


PAGE 1/7	ISSUE 11-01-19B	SERIES OCTIS	PART NUMBER OCT1140500
----------	-----------------	--------------	------------------------



All dimensions are in mm. Tolerances according ISO 2768 m-H.

DESCRIPTION

REP	COMPONENT	MATERIALS	PLATING
1	SFP Shielding cage	BRASS	NiSn

PAGE 2/7	ISSUE 11-01-19B	SERIES OCTIS	PART NUMBER OCT1140500
----------	-----------------	--------------	------------------------

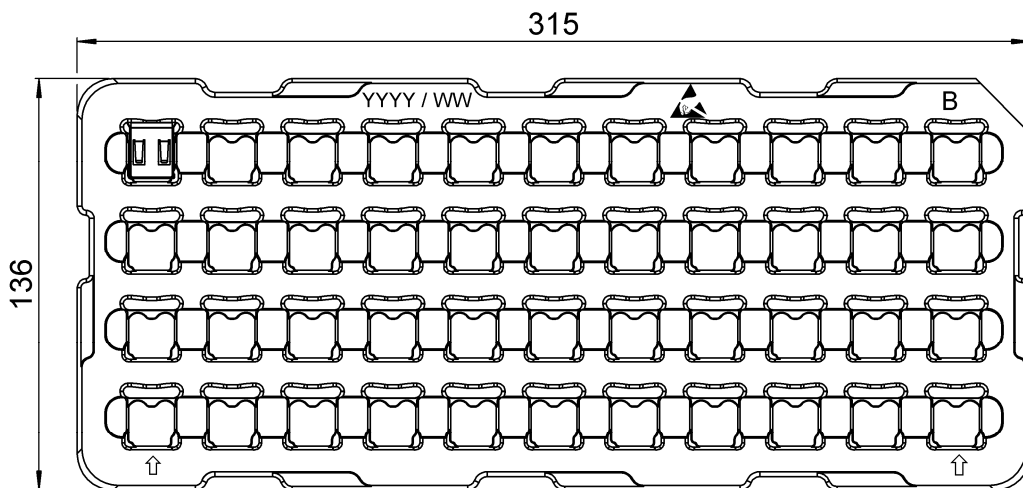
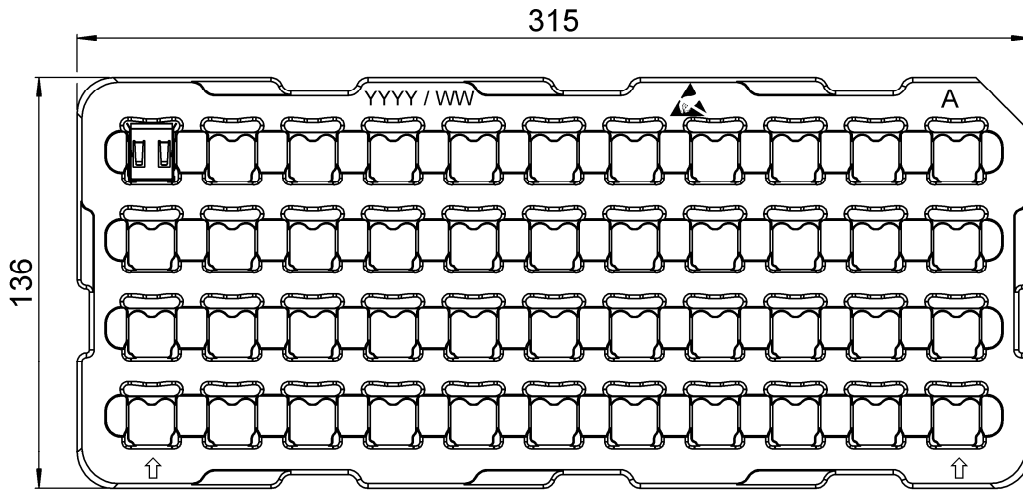
GENERAL CHARACTERISTICS


Mechanical Mating endurance (cycles) Vibration Weight (g)	IEC 61300-2-2 IEC 61300-2-1 -	100 - 1,6530
Environmental Operating temperature (°C) Storage temperature (°C) RoHS	IEC 61300-2-22 IEC 61300-2-22 -	-40 / +85 -65 / +85 Compliant
Others - Handling	- -	ESD approved Only with gloves

PAGE 3/7	ISSUE 11-01-19B	SERIES OCTIS	PART NUMBER OCT1140500
----------	-----------------	--------------	------------------------

PACKAGING:

Packaging in Hot Formed Tray

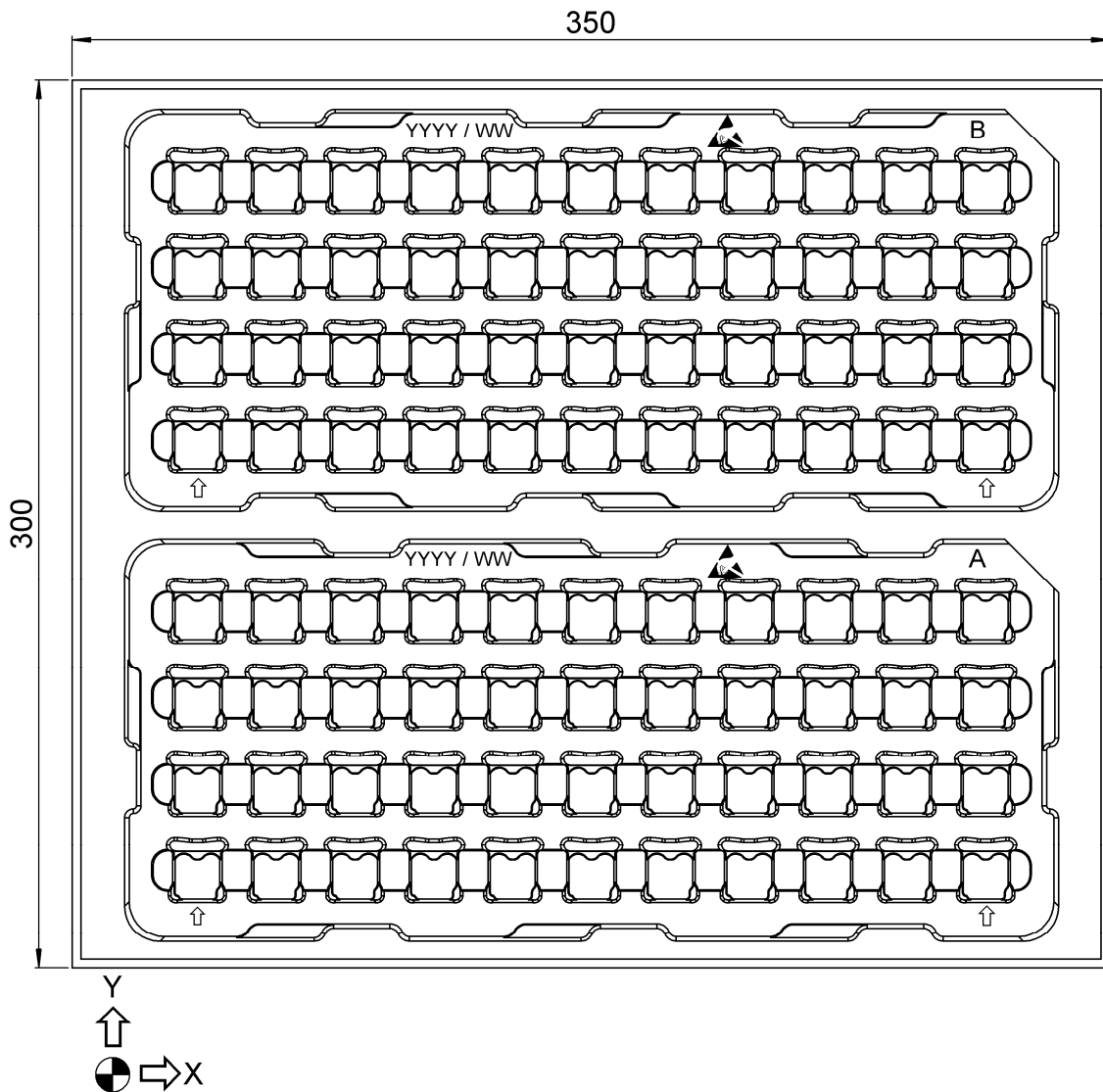


Tray Information:
 44 pcs by Tray
 Color: tray A in black and tray B in translucent
 YYYY: manufacturing year
 WW: manufacturing week
: ESD symbol

PAGE 4/7	ISSUE 11-01-19B	SERIES OCTIS	PART NUMBER OCTI140500
----------	-----------------	--------------	------------------------

PACKAGING:

Packaging in the box

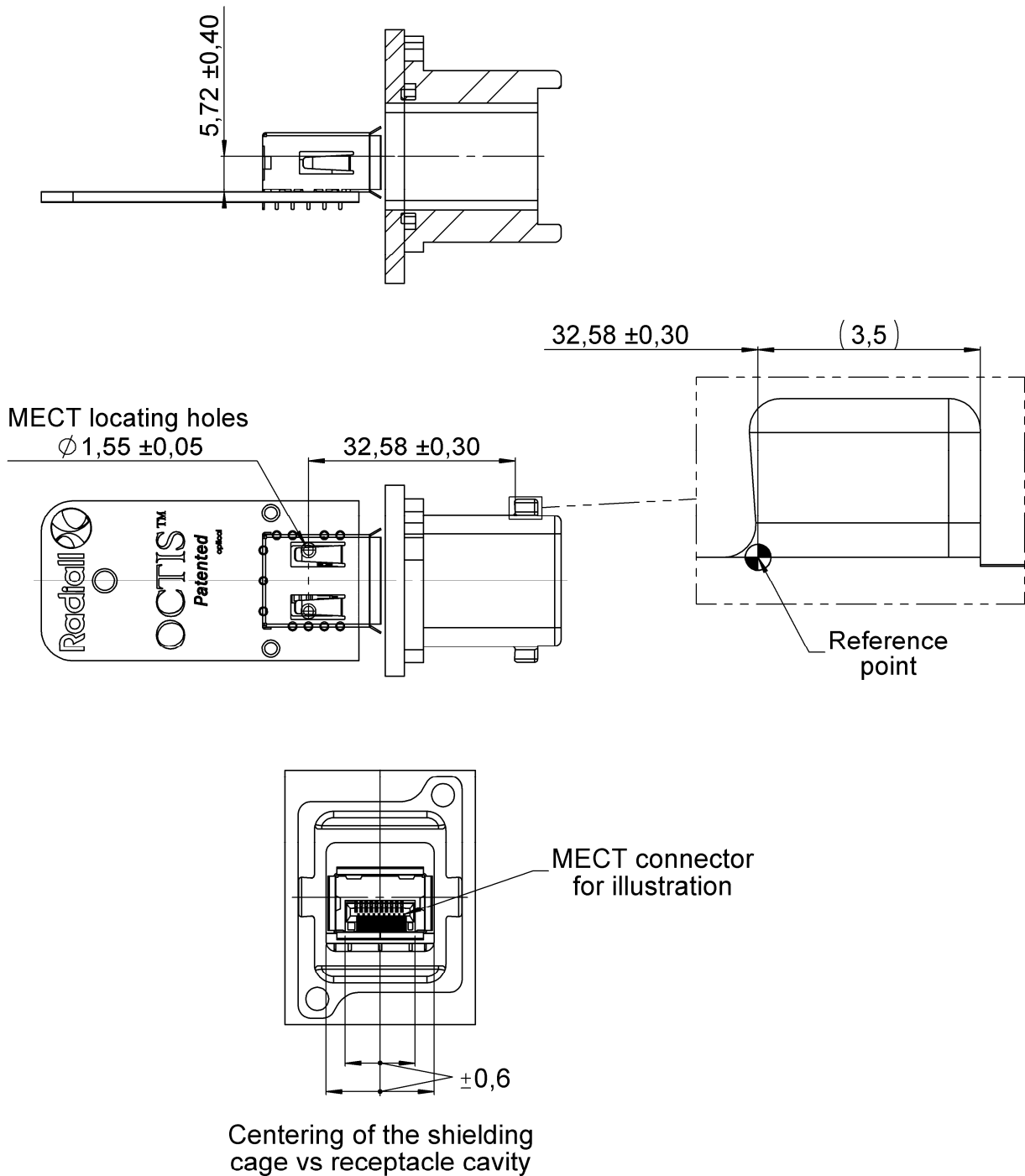


Packaging Information:
 1144 pcs by Box
 X pitch = 26.6 mm
 Y pitch = 26.6 mm
 Z dimension = 18 mm
 Tray A and tray B stocked alternatively
 Hot formed trays fitted in a ESD bag
 and in card board box

PAGE 5/7	ISSUE 11-01-19B	SERIES OCTIS	PART NUMBER OCTI140500
----------	-----------------	--------------	------------------------

POSITIONNING AND PATTERN DEFINITION

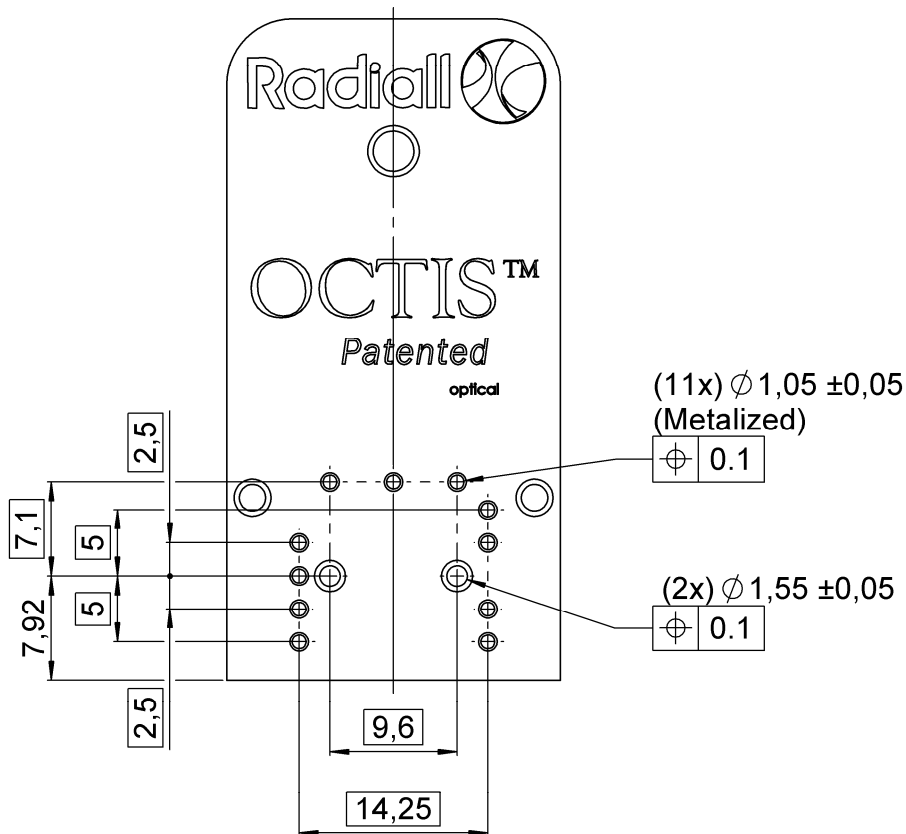
OCTIS SFP Version with universal receptacle



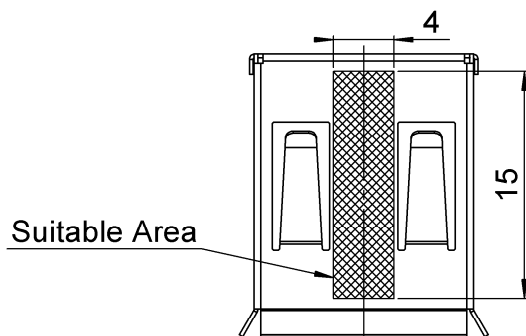
For use with OCTIS Plug Kit p/n OCTI.117.500

PAGE 6/7	ISSUE 11-01-19B	SERIES OCTIS	PART NUMBER OCT1140500
----------	-----------------	--------------	------------------------

FOOT/PRINT
(General Tolerances for PCB +/- 0.1 mm)



SUITABLE AREA FOR PICK & PLACE VACUUM NOZZLE



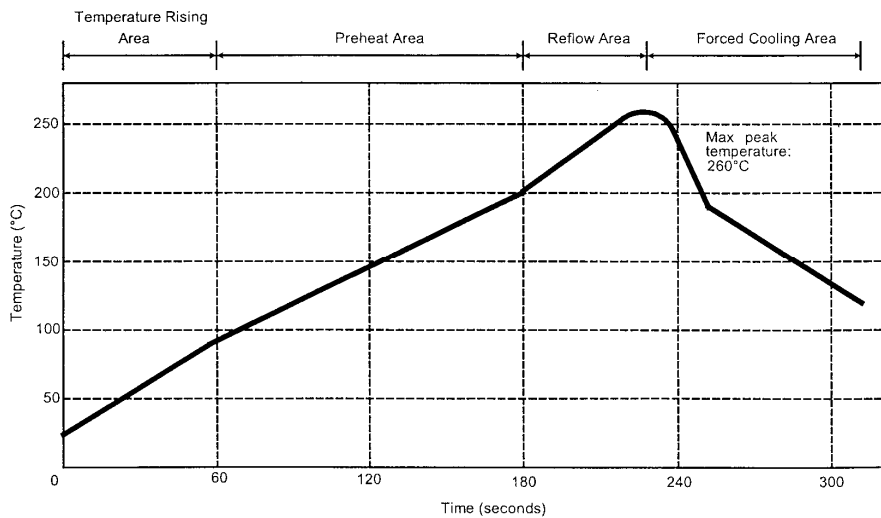
PAGE 7/7	ISSUE 11-01-19B	SERIES OCTIS	PART NUMBER OCT1140500
----------	-----------------	--------------	-------------------------------

SOLDER PROCEDURE*

1. Deposit solder paste (Sn Ag4 Cu0.5) on solder pads / mounting area by screen printing application. We recommend a low residue flux. Verify that the edges of the pads are clean.
2. Place the component on the mounting area with a pick & place machine. A video camera is recommended for a good positioning of the component. Adhesive agents must not be used on the component.
3. This process of soldering has been tested with a convection oven. Below please find the typical soldering profile to use.
4. Optional cleaning of printed circuit board.
5. Check solder joints and position of the component by visual inspection.

Note: When soldering a receptacle, no plug should be mated to the receptacle before completion of this procedure.

TEMPERATURE PROFILE



Parameter	Value	Unit
Temperature rising Area	1 to 4	°C/sec
Max Peak Temperature	260	°C
Max dwell time @260°C	10	sec
Min dwell time @235°C	20	sec
Max dwell time @235°C	60	sec
Temperature drop in cooling Area	-1 to -4	°C/sec
Max dwell time above 100°C	420	sec

*Typical data for reflow process. Alternatively, wave soldering is also possible