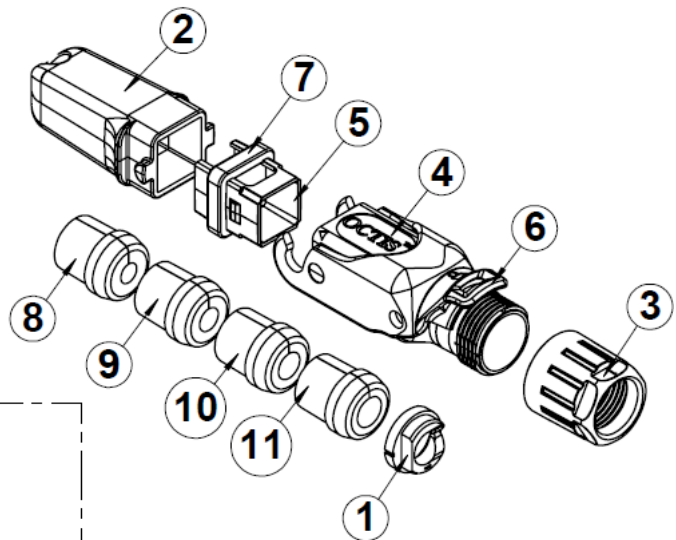
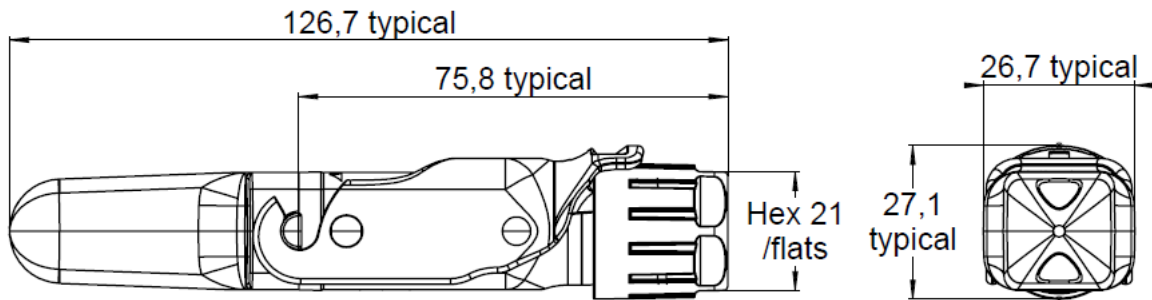
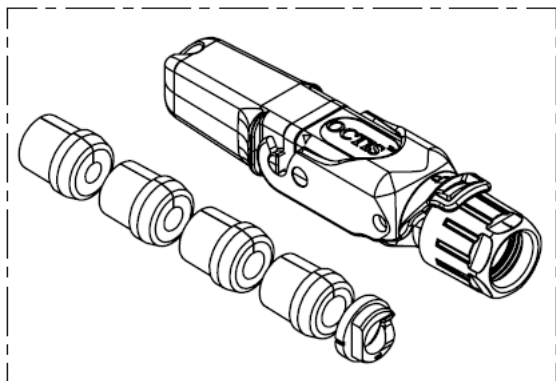


PAGE 1/2	ISSUE 13-02-19A	SERIES OCTIS	PART NUMBER OCTI127510
----------	-----------------	--------------	------------------------



Packing configuration



All dimensions are in mm. Tolerances according ISO 2768 m-H

DESCRIPTION

REP	COMPONENT	MATERIALS	PLATING
1	Tightening cone	PA	-
2	Plug Cap	PBT GF	-
3	Gland Nut	PBT GF	BLACK COLOR
4	Housing	PBT GF	-
5	Holder	PBT GF	-
6	Lever	IXEF	-
7	Interface sealing gasket	SILICONE	-
8	Split rubber gland Ø6	SILICONE	-
9	Split rubber gland Ø7	SILICONE	-
10	Split rubber gland Ø8	SILICONE	-
11	Split rubber gland Ø9	SILICONE	-

PAGE 2/2	ISSUE 13-02-19A	SERIES OCTIS	PART NUMBER OCTI127510
----------	-----------------	--------------	------------------------

GENERAL CHARACTERISTICS

Mechanical Mating endurance (cycles) Axial Tensile load (N typical) Vibration Recom. coupling torque (N.cm) Weight (g)	IEC 61300-2-2 IEC 61300-2-4 IEC 61300-2-1 - -	100 150 * - 250 min / 300 max 41.5810
Environmental Protection class Operating temperature (°C) Storage temperature (°C) Humidity (damp heat) (%RH) Salt Mist RoHS Flammability UVB Resist (h)	IEC 60529 IEC 61300-2-22 IEC 61300-2-22 IEC 61300-2-19 IEC 61300-2-26 (ISO21207 method B) - UL 94 ASTM G154 cycle 2	IP67 ** -40 / +85 -65 / +85 5 / 95 720h ** Compliant V0 1000
Others: Equipment interface Cable Packaging	- - -	For use with OCTIS™ panel interface or receptacle *** Refer to rubber gland selection chart below. Unitary in plastic bag with assembly note.

* Depending on cable characteristics

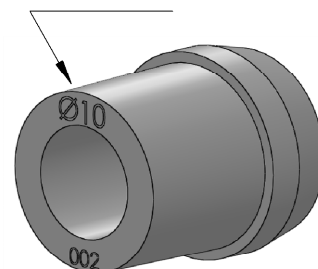
** Mated condition

*** If the interface is to be die casted into the equipment panel, please contact Radiall for license conditions and interface definition

RUBBER GLAND SELECTION CHART

ΦD^*	Recommended gland size
From 4.8 min to 5.8 Max	"6"
From 5.8 min to 6.8 Max	"7"
From 6.8 min to 7.8 Max	"8"
From 7.8 min to 8.8 Max	"9"
From 8.8 min to 9.8 Max	"10"
From 10.3 min to 11.3 Max	"11.5"

Gland size is written on the gland edge



*Cable diameter under the gland. If the cable has a sleeve, the diameter over the sleeve should be considered
 The tolerances of ΦD should be taken into account to make sure it is always within the specified range