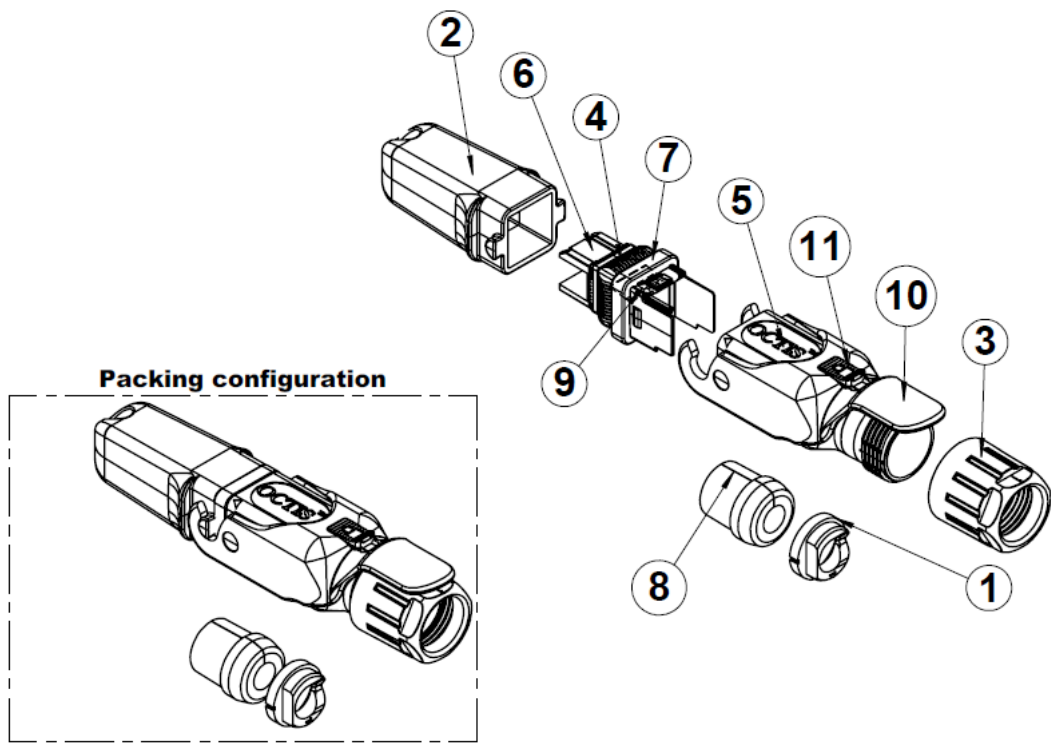
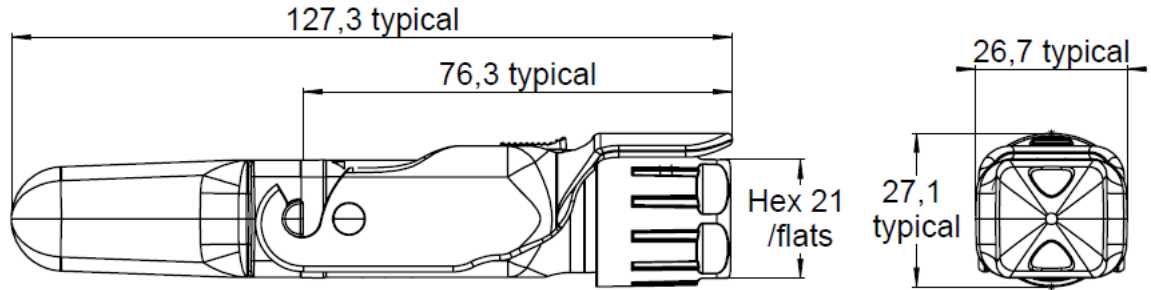


|          |                 |              |                        |
|----------|-----------------|--------------|------------------------|
| PAGE 1/3 | ISSUE 12-02-19A | SERIES OCTIS | PART NUMBER OCT1117540 |
|----------|-----------------|--------------|------------------------|



All dimensions are in mm. Tolerances according ISO 2768 m-H

**DESCRIPTION**

| REP | COMPONENT                | MATERIALS       | PLATING    |
|-----|--------------------------|-----------------|------------|
| 1   | Tightening cone          | PA              | -          |
| 2   | Plug Cap                 | PBT GF          | -          |
| 3   | Gland Nut                | PBT GF          | BLUE COLOR |
| 4   | SFP grounding ring       | STAINLESS STEEL | -          |
| 5   | Housing                  | PBT GF          | -          |
| 6   | Holder                   | ZAMAK           | PASSIVATED |
| 7   | Interface sealing gasket | SILICONE        | -          |
| 8   | Split rubber gland Ø8    | SILICONE        | -          |
| 9   | Spring Blade             | STAINLESS STEEL | -          |
| 10  | Lever                    | IXEF            | -          |
| 11  | Locking button           | PBT GF          | -          |

|          |                 |              |                               |
|----------|-----------------|--------------|-------------------------------|
| PAGE 2/3 | ISSUE 12-02-19A | SERIES OCTIS | <b>PART NUMBER OCT1117540</b> |
|----------|-----------------|--------------|-------------------------------|

**GENERAL CHARACTERISTICS**

|   |   |  |
|---|---|--|
| <b>Mechanical</b><br>Mating endurance (cycles)<br>Axial Tensile load (N typical)<br>Vibration<br>Recom. coupling torque (N.cm)<br>Weight (g)                  | IEC 61300-2-2<br>IEC 61300-2-4<br>IEC 61300-2-1   | 100<br>150 *<br>-<br>250 min./ 300 max.<br>66.5700   |
| <b>Environmental</b><br>Protection class<br>Operating temperature (°C)<br>Storage temperature (°C)<br>Salt Mist<br><br>RoHS<br>Flammability<br>UVB Resist (h) | IEC 60529<br>IEC 61300-2-22<br>IEC 61300-2-22<br>IEC 61300-2-26<br>(ISO21207 method B)<br><br>-<br>UL 94<br>ASTM G154 cycle 2 | IP 67 **<br>-40 / +85<br>-65 / +85<br>720h **<br><br>Compliant<br>V0<br>1000   |
| <b>Others:</b><br>Equipment interface<br><br>SFP/SFP+<br><br>Cable<br><br>Packaging   | -<br>MSA<br>-<br>-  | For use with OCTIS™ panel interface or receptacle ***<br><br>For use with transceiver complying to the SFP MSA standard<br><br>For use with standard LC duplex patchcord, MultiMode or SingleMode ****<br><br>Unitary in plastic bag with assembly note. |

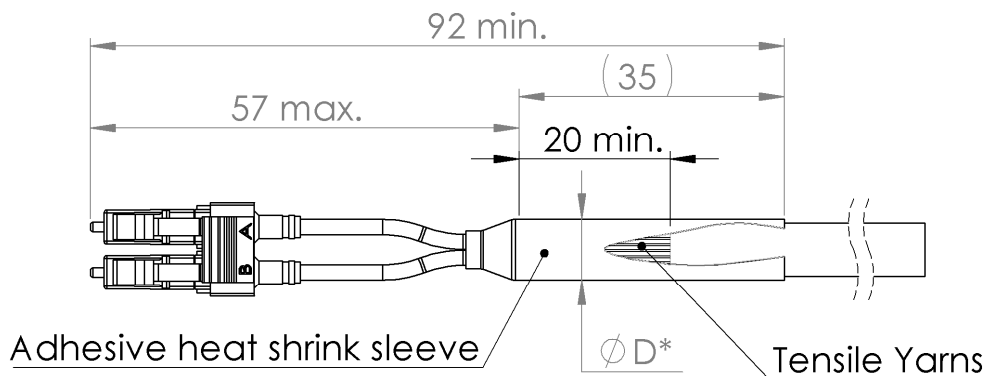
\* Depending on cable characteristics

\*\* Mated condition

\*\*\* If the interface is to be die casted into the equipment panel, please contact Radiall for license conditions and interface definition

\*\*\*\* Refer to fan-out dimensional requirement and rubber gland selection chart below

**FANOUT DEFINITION**

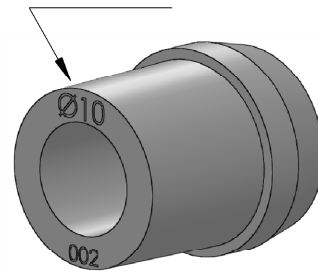


|          |                 |              |                        |
|----------|-----------------|--------------|------------------------|
| PAGE 3/3 | ISSUE 12-02-19A | SERIES OCTIS | PART NUMBER OCT1117540 |
|----------|-----------------|--------------|------------------------|

**RUBBER GLAND SELECTION CHART**

| $\Phi D^*$                | Recommended gland size |
|---------------------------|------------------------|
| From 4.8 min to 5.8 Max   | "6"                    |
| From 5.8 min to 6.8 Max   | "7"                    |
| From 6.8 min to 7.8 Max   | "8"                    |
| From 7.8 min to 8.8 Max   | "9"                    |
| From 8.8 min to 9.8 Max   | "10"                   |
| From 10.3 min to 11.3 Max | "11.5"                 |

Gland size is written on the gland edge



\*Cable diameter under the gland. If the cable has a sleeve, the diameter over the sleeve should be considered  
The tolerances of  $\Phi D$  should be taken into account to make sure it is always within the specified range