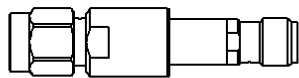
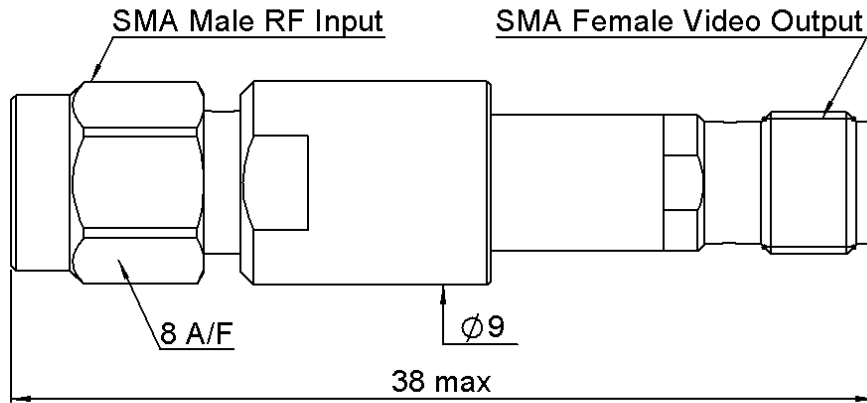
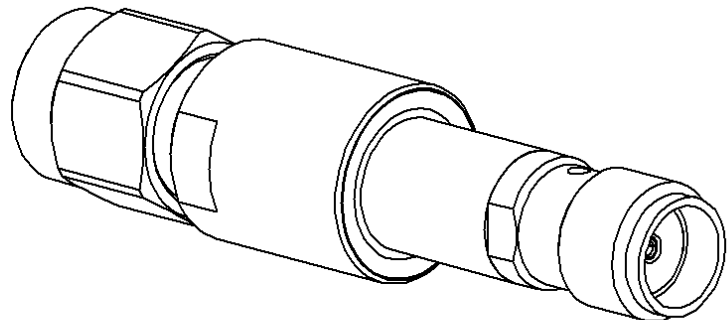


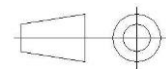
PAGE 1/2	ISSUE 02-02-16A	SERIES DETECTOR	PART NUMBER R451032500
----------	-----------------	--------------------	------------------------



SCALE 1:1



All dimensions are in mm.



Weight Specification **9,6200** g

PAGE 2/2	ISSUE 02-02-16A	SERIES DETECTOR	PART NUMBER R451032500
----------	------------------------	---------------------------	-------------------------------

ELECTRICAL CHARACTERISTICS

FREQUENCY RANGE (GHz)	1 - 18
IMPEDANCE	50 Ohms
SENSITIVITY LEVEL (Input Power <= -20 dBm)	> 1500 mV / mW
FREQUENCY RESPONSE	± 2 dB
AVERAGE POWER	200 mW at 25°C
PEAK POWER	2W (10 nS , 1mS)
OUTPUT POLARITY	Positive
FILTERING CAPACITY (Typical)	20 pF
DIODE	Schottky "Zero Bias"

MECHANICAL CHARACTERISTICS

RF INPUT CONNECTOR	SMA Male Per MIL C 39012
VIDEO OUTPUT CONNECTOR	SMA Female Per MIL C 39012

ENVIRONMENTAL CHARACTERISTICS

OPERATING TEMPERATURE RANGE (°C)	- 25 / +70
STORAGE TEMPERATURE RANGE (°C)	- 40 / +85