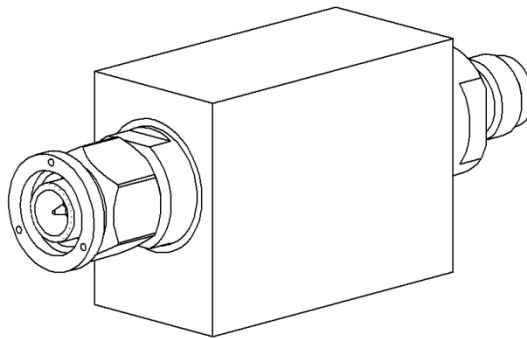
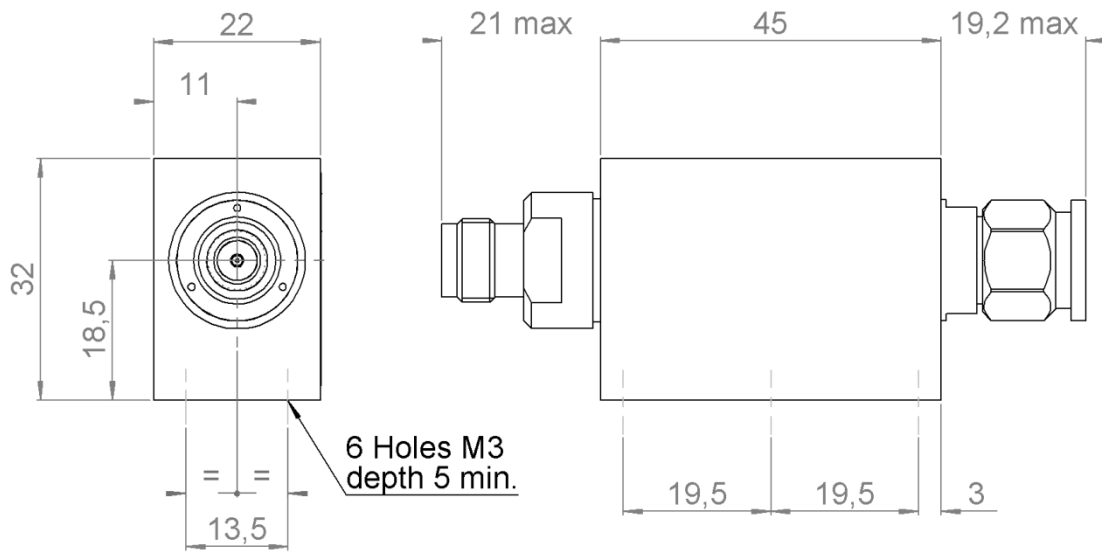
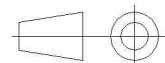


| | | | |
|----------|---------------------------|-----------------------------|-------------------------------|
| PAGE 1/2 | ISSUE 20-05-26C | SERIES ATTENUATOR | PART NUMBER R417620130 |
|----------|---------------------------|-----------------------------|-------------------------------|



All dimensions are in mm. Tolerances according ISO 2768 c-K



| COMPONENTS | MATERIALS | PLATING (µm) |
|-----------------------|-------------------------|--|
| Body | STAINLESS STEEL | PASSIVATED. |
| Male center contact | BERYLLIUM COPPER | GOLD 0.5 OVER NICKEL PHOSPHORUS 2 |
| Female center contact | BERYLLIUM COPPER | GOLD 0.5 OVER NICKEL PHOSPHORUS 2 |
| Outer contact | | |
| Insulator | PTFE | |
| Gasket | SILICONE RUBBER | |
| Substrate | ALUMINA | |
| Resistor | THICK FILM | |
| Others parts | ALUMINIUM | BLACK ANODIZATION |

| | | | |
|----------|---------------------------|-----------------------------|-------------------------------|
| PAGE 2/2 | ISSUE 20-05-26C | SERIES ATTENUATOR | PART NUMBER R417620130 |
|----------|---------------------------|-----------------------------|-------------------------------|

ELECTRICAL CHARACTERISTICS

| | | | |
|-----------------|---------------|--------------|--------------|
| Frequency (GHz) | DC - 1 | 1 - 2 | 2 - 4 |
| V.S.W.R (≤) | 1.15 | 1.25 | 1.35 |
| Deviation(±dB) | 0.8 | 0.8 | 0.8 |

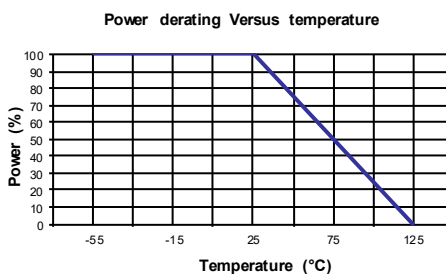
| | | |
|--|---------------|-----------------------|
| Operating Frequency Range | DC - 4 | GHz |
| Impedance | 50 | Ω |
| Nominal Attenuation | 20 | dB |
| Peak power at 25°C (1μs, 1%) | 5000 | W |
| Average power at 25°C | | W (Free Air Cooled) |
| | 30 | W (Conduction Cooled) |
| For conduction cooling, a plate 500 cm2 x 3 mm(78 sq.in*1/8) min. is required | | |

MECHANICAL CHARACTERISTICS

| | | | |
|---------------|-------------------|--------------------|--------------------|
| Connectors | TNC | Male Female | MIL-C 39012 |
| Weight (±15%) | 128,9700 g | | |

ENVIRONMENTAL CHARACTERISTICS

| | |
|-----------------------------|---------------------|
| Operating temperature range | -55 /+125 °C |
| Storage temperature range | -55 /+125 °C |



SPECIFICATION

OTHER CHARACTERISTICS