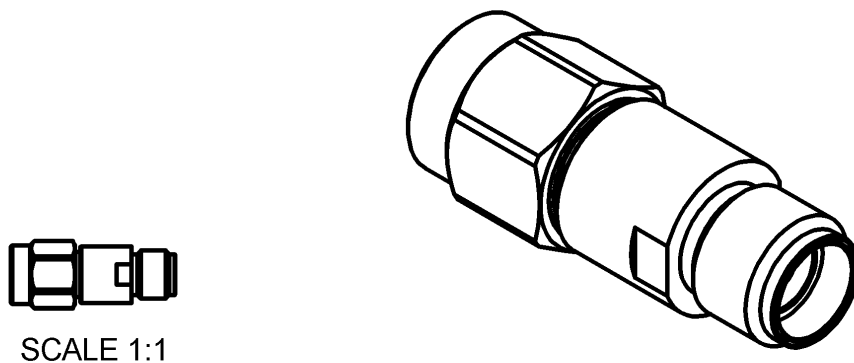
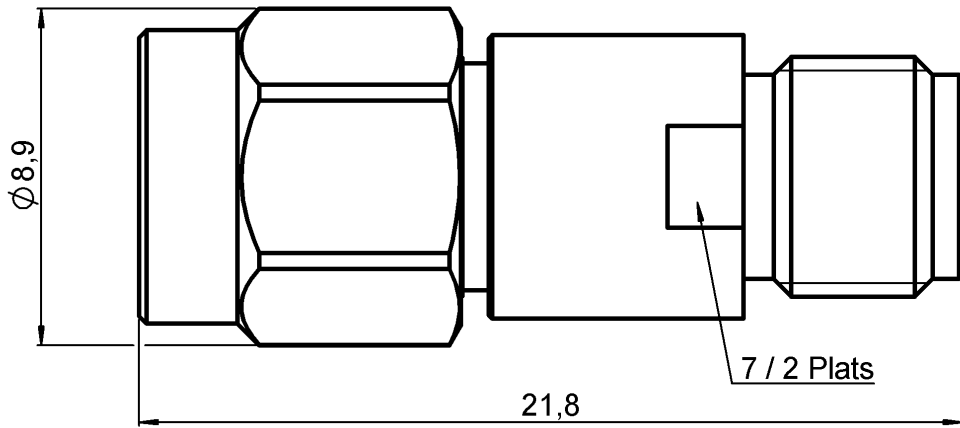
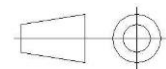


PAGE 1/2	ISSUE 19-09-16A	SERIES ATTENUATOR	PART NUMBER R413806117
----------	-----------------	-----------------------------	-------------------------------



SCALE 1:1

All dimensions are in mm.



COMPONENTS	MATERIALS	PLATING (μm)
Body	STAINLESS STEEL	-
Male center contact	BERYLLIUM COPPER	GOLD 2.5 OVER NICKEL 1
Female center contact	BERYLLIUM COPPER	GOLD 2.5 OVER NICKEL 1
Outer contact	-	-
Insulator	PTFE	-
Gasket	SILICONE RUBBER	-
Substrate	ALUMINA	-
Resistor	THIN FILM	-
Others parts	-	-

PAGE 2/2	ISSUE 19-09-16A	SERIES ATTENUATOR	PART NUMBER R413806117
----------	-----------------	----------------------	------------------------

ELECTRICAL CHARACTERISTICS

Frequency (GHz)	DC - 4	4 - 12.4
V.S.W.R (≤)	1.15	1.25
Deviation(±dB)	0.3	0.3

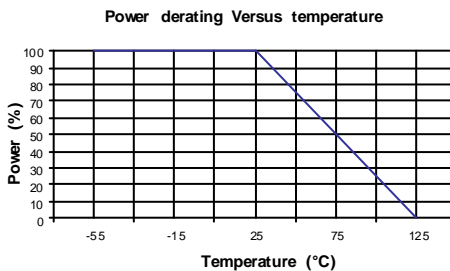
Operating Frequency Range	DC - 12.4	GHz
Impedance	50	Ω
Nominal Attenuation	6	dB
Peak power at 25°C (1μs, 1%)	100	W
Average power at 25°C	2	W (Free Air Cooled)
		W (Conduction Cooled)

MECHANICAL CHARACTERISTICS

Connectors	SMA	Male Female	MIL-C 39012
Weight	5,1480	g	

ENVIRONMENTAL CHARACTERISTICS

Operating temperature range	-55 /+125	°C
Storage temperature range	-55 /+125	°C



SPECIFICATION

OTHER CHARACTERISTICS