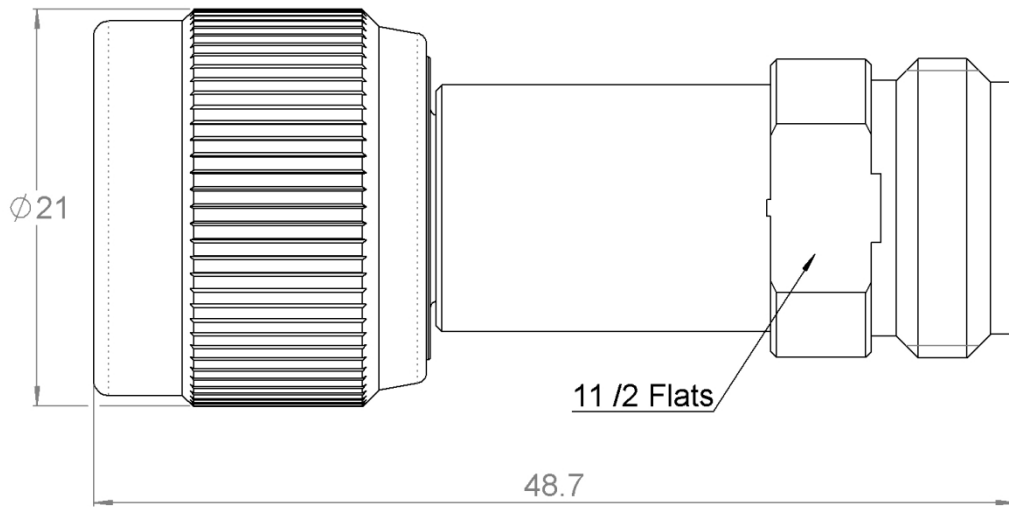
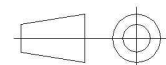


PAGE 1/2	ISSUE <b>19-09-23F</b>	SERIES <b>ATTENUATOR</b>	PART NUMBER <b>R412705000</b>
----------	---------------------------	-----------------------------	-------------------------------



SCALE 1/1

All dimensions are in mm. Tolerances according ISO 2768 c-K



COMPONENTS	MATERIALS	PLATING ( $\mu\text{m}$ )
Body	<b>BRASS</b>	<b>NICKEL 5</b>
Male center contact	<b>BERYLLIUM COPPER</b>	<b>GOLD 2.5 OVER NICKEL 1</b>
Female center contact	<b>BERYLLIUM COPPER</b>	<b>GOLD 2.5 OVER NICKEL 1</b>
Outer contact	<b>BRASS</b>	<b>NICKEL 2</b>
Insulator	<b>PTFE</b>	
Gasket	<b>SILICONE RUBBER</b>	
Substrate	<b>ALUMINA</b>	
Resistor	<b>THIN FILM</b>	
Others parts		

PAGE 2/2	ISSUE <b>19-09-23F</b>	SERIES <b>ATTENUATOR</b>	PART NUMBER <b>R412705000</b>
----------	---------------------------	-----------------------------	-------------------------------

**ELECTRICAL CHARACTERISTICS**

Frequency (GHz)	<b>DC - 2</b>
V.S.W.R (≤)	<b>1.15</b>
Deviation(±dB)	<b>0.35</b>

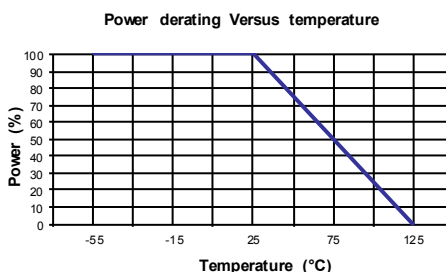
Operating Frequency Range	<b>DC - 2</b>	GHz
Impedance	<b>50</b>	Ω
Nominal Attenuation	<b>5</b>	dB
Peak power at 25°C (1μs, 1%)	<b>100</b>	W
Average power at 25°C	<b>2</b>	W (Free Air Cooled)
		W (Conduction Cooled)

**MECHANICAL CHARACTERISTICS**

Connectors	<b>N</b>	<b>Male Female</b>	<b>MIL-C 39012</b>
Weight (±15%)	<b>59,7686 g</b>		

**ENVIRONMENTAL CHARACTERISTICS**

Operating temperature range	<b>-55 /+125 °C</b>
Storage temperature range	<b>-55 /+125 °C</b>



**SPECIFICATION**

**OTHER CHARACTERISTICS**