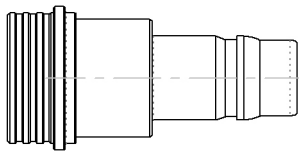
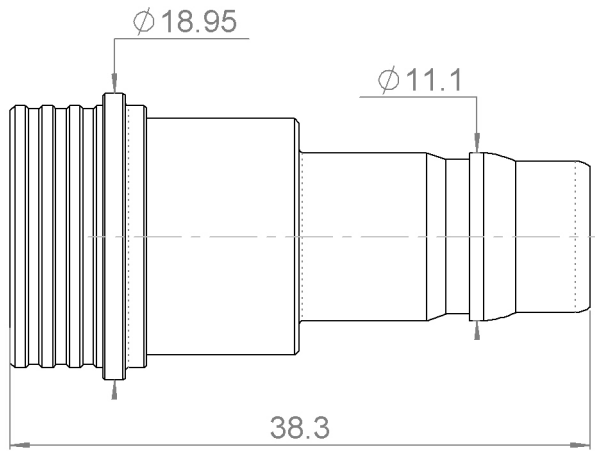
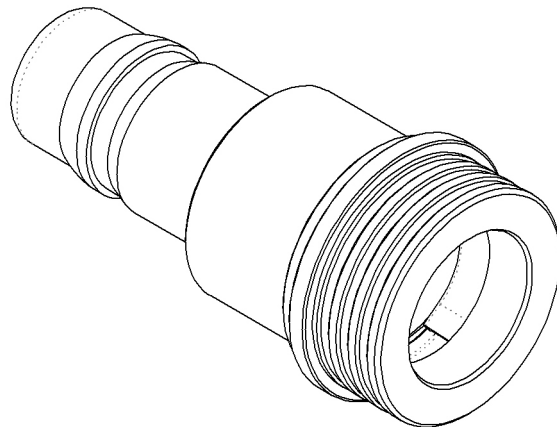


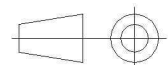
PAGE 1/2	ISSUE 08-04-20C	SERIES ATTENUATOR	PART NUMBER R412318124
----------	------------------------	-----------------------------	-------------------------------



SCALE 1 : 1



All dimensions are in mm. Tolerances according ISO 2768 m-H



COMPONENTS	MATERIALS	PLATING (μm)
Body	BRASS	BBR 0.5 OVER SILVER 3
Male center contact	BRASS	GOLD 1.3 OVER COPPER 2.5
Female center contact	BERYLLIUM COPPER	GOLD 1.3 OVER COPPER 2.5
Outer contact	BERYLLIUM COPPER	NPGR
Insulator	PTFE	
Gasket	EPDM	
Substrate	ALUMINA	
Resistor	THICK FILM	
Others parts		

PAGE 2/2	ISSUE 08-04-20C	SERIES ATTENUATOR	PART NUMBER R412318124
----------	------------------------	-----------------------------	-------------------------------

ELECTRICAL CHARACTERISTICS

Frequency (GHz)	DC - 2	2 - 3
V.S.W.R (≤)	1.20	1.30
Deviation(±dB)	0.70	0.70

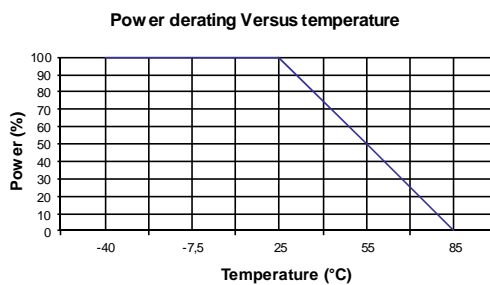
Operating Frequency Range	DC - 3	GHz
Impedance	50	Ω
Nominal Attenuation	18	dB
Peak power at 25°C (1μs, 1%)	100	W
Average power at 25°C	1	W (Free Air Cooled)
		W (Conduction Cooled)

MECHANICAL CHARACTERISTICS

Connectors	QN	Male Female
Weight	28,32 g	

ENVIRONMENTAL CHARACTERISTICS

Operating temperature range	-40 / +85 °C
Storage temperature range	-40 / +85 °C



SPECIFICATION

OTHER CHARACTERISTICS

Mating Life : 100 Cycles