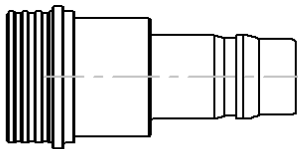
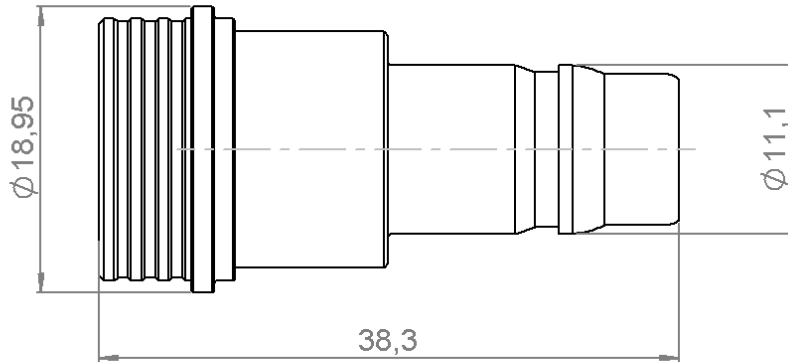


QN ATTENUATOR

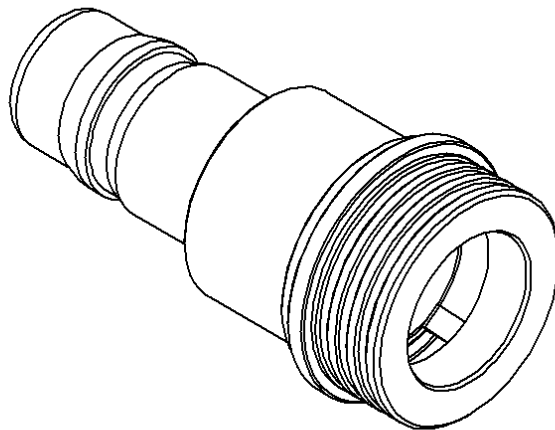
6 DB 3 GHZ 1W

R412.306.124

Series : ATTENUATOR



Ech : 1



All dimensions are in mm.

| COMPONENTS | MATERIALS | PLATING(μm) |
|-----------------------|------------------|--------------------------|
| BODY | BRASS | BBR 0.5 OVER SILVER 3 |
| MALE CENTER CONTACT | BRASS | GOLD 1.3 OVER COPPER 2.5 |
| FEMALE CENTER CONTACT | BERYLLIUM COPPER | GOLD 1.3 OVER COPPER 2.5 |
| OUTER CONTACT | BERYLLIUM COPPER | NPGR |
| INSULATOR | PTFE | |
| GASKET | EPDM | |
| SUBSTRATE | ALUMINA | |
| RESISTOR | THICK FILM | |
| OTHERS PARTS | | |

Issue : 1309 B

In the effort to improve our products, we reserve the right to make changes judged to be necessary.

QN ATTENUATOR**6 DB 3 GHZ 1W****R412.306.124**

Series : ATTENUATOR

ELECTRICAL CHARACTERISTICS

| | | |
|----------------------|------|-------|
| Frequency (GHz) | 2 | 2 - 3 |
| V.S.W.R (\leq) | 1.20 | 1.30 |
| Deviation(\pm dB) | 0.30 | 0.50 |

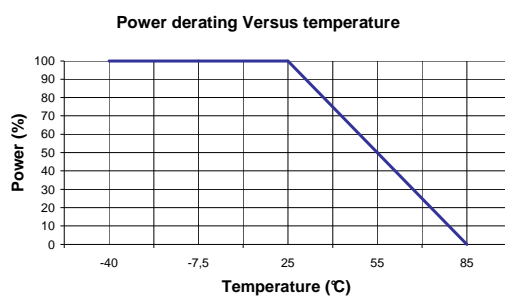
| | | |
|------------------------------------|--------|---------------------|
| Operating Frequency Range | DC - 3 | GHz |
| Impedance | 50 | Ω |
| Nominal Attenuation | 6 | dB |
| Peak power at 25°C (1 μ s, 1%) | 100 | W |
| Average power at 25°C | 1 | W (Free Air Cooled) |

MECHANICAL CHARACTERISTICS

| | | |
|------------|---------|-------------|
| Connectors | QN | Male Female |
| Weight | 28,3780 | g |

ENVIRONMENTAL CHARACTERISTICS

| | |
|-----------------------------|--------------|
| Operating temperature range | -40 / +85 °C |
| Storage temperature range | -40 / +85 °C |

**SPECIFICATION****OTHER CHARACTERISTICS**

Mating Life : 100 Cycles

Issue : 1309 B

In the effort to improve our products, we reserve the right to make changes judged to be necessary.