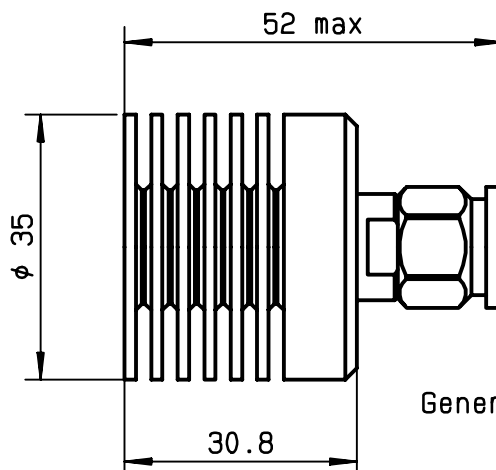


**TITLE:** 12 W 18GHZ TNC/m COAXIAL TERMINATION

**LTR. C**

### DRAWING



General tolerances: +/- 0.5 mm

### ELECTRICAL CHARACTERISTICS

FREQUENCY RANGE	: DC - 18GHz
IMPEDANCE	: 50 Ohms
DC RESISTANCE	: 50 Ohms ± 5 %
AVERAGE POWER HANDLING	: 12 W at 75°C
PEAK POWER HANDLING	: 300 W ( 1 μs, 1%.) at 25°C
V.S.W.R :	DC - 4 GHz : ≤ 1.15
	4 - 8 GHz : ≤ 1.20
	8 - 12.4 GHz : ≤ 1.25
	12.4 - 18 GHz : ≤ 1.30

### MECHANICAL CHARACTERISTICS

CONNECTOR	: TNC male per MIL C 39012
MAXIMUM WEIGHT	: 75 grams

### ENVIRONMENTAL CHARACTERISTICS

OPERATING TEMPERATURE RANGE (°C)	: -55 , +125
STORAGE TEMPERATURE RANGE (°C)	: -55 , +125

Power derating  
Versus temperature



Tentative data subject to change without notice

<b>PEN</b> <b>CAT</b>	QUALITY Dpt App.					
			C	New format	22.10.92	PG
<b>PAGE</b> 1 / 1	<b>DATE</b> 29.01.90	<b>NAME</b> DP	B	New model	29.01.90	KL
<b>LTR</b>	<b>REVISIONS</b>			<b>DATE</b>	<b>APP.</b>	