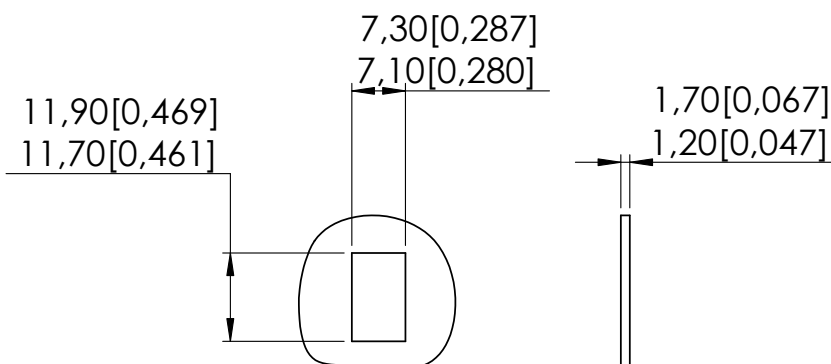


GENERAL

TYPE: Test adaptor LC-LUXCIS ML
 LC : IEC 61754-20 (LC)
 RJ-45 latching system
 LUXCIS : LuxCis ML contact, mono key
 Zirconia alignment sleeve

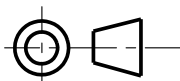


PANEL DIMENSIONS: See drawing

CHARACTERISTICS (Depending on fiber or cable construction)

ENVIRONMENTAL: - Storage temperature -40[°C] to +85[°C]
 - Operating temperature -40[°C] to +70[°C]

DIMENSIONS: mm (inch) -



This information is given as an indication. In the continual goal to improve our products, we reserve the right to make any modifications judged necessary.

4112_9311

CREATION				
PEN:				
NAME: MANNEVY A.				
DATE: Feb. 15, 2007				
APPR.: MARIE A.				
Issue	Revisions	Name	Approved	

RADIALL®
 101, rue P. Hoffmann
 93116 ROSNY / BOIS
 France
 Tel (33) 01 49 35 35 35
 Fax (33) 01 48 54 63 63