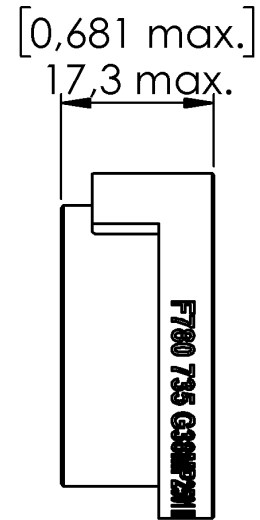
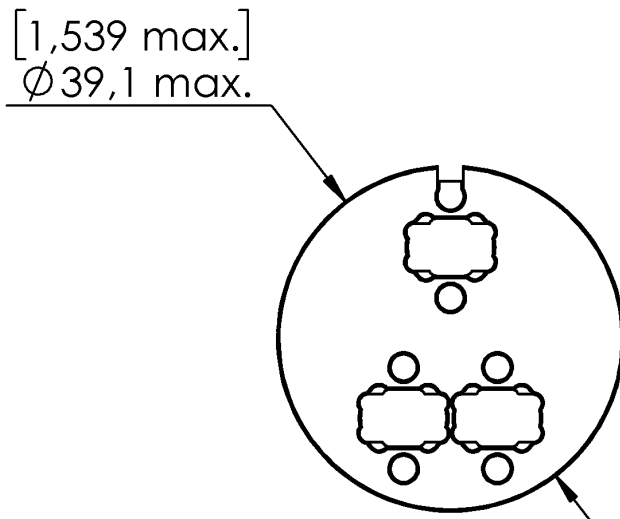


PAGE 1/1	ISSUE 20 th May, 2020	SERIES Q-MTITAN™	PART NUMBER F780 735 G38MP2501
----------	----------------------------------	------------------	---------------------------------------

GUIDE FOR MALE Q-MTITAN VISUAL INSPECTION INSIDE 38999

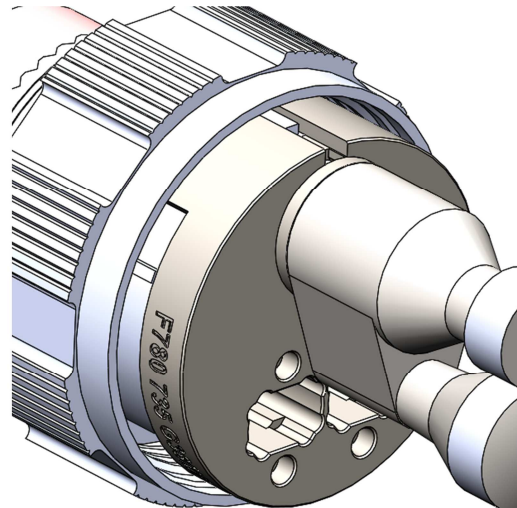
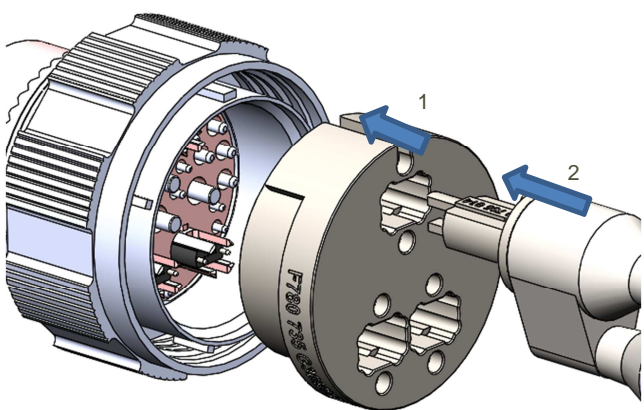


Dimensions in mm [inch]

Q-MTitan™ protects an MT ferrule to maintain excellent optical performance and provide high-density connectivity to harsh environments. Radiall has developed a full range of efficient and convenient tools for the visual inspection of the optical end-faces of the Q-MTitan™.

FEATURES:

- Dedicated guide for male Q-MTitan™ visual inspection inside 38999 equipped with 25-20 insert composed with quadrax contacts, size 12, size 16 and size 20 contacts.
- Suitable for F780 735 014 microscope tip and cleaner F780 735 070
- Refer to Radiall Inspection and cleaning procedure for Q-MTitan™: 503 08 840 for further information



38999 F780 735 G38MP2501 F780 735 014