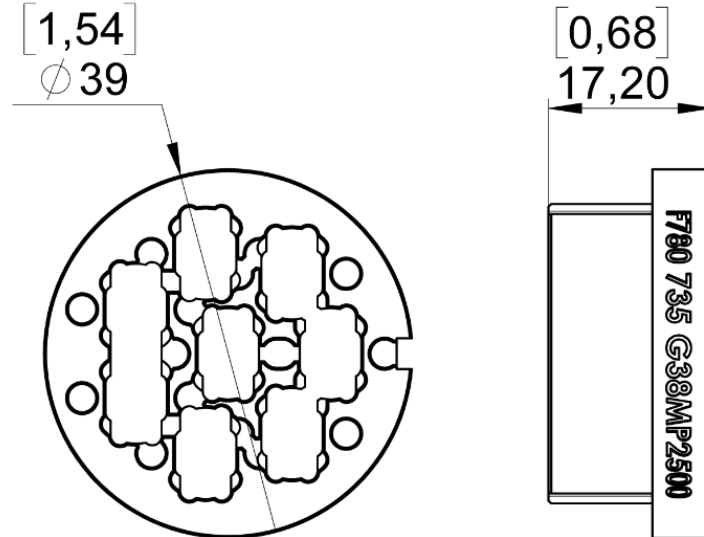


PAGE 1/1	ISSUE 4 th April, 2019	SERIES Q-MTITAN™	PART NUMBER F780 735 G38MP2500
----------	-----------------------------------	------------------	--------------------------------

GUIDE FOR MALE Q-MTITAN VISUAL INSPECTION INSIDE 38999

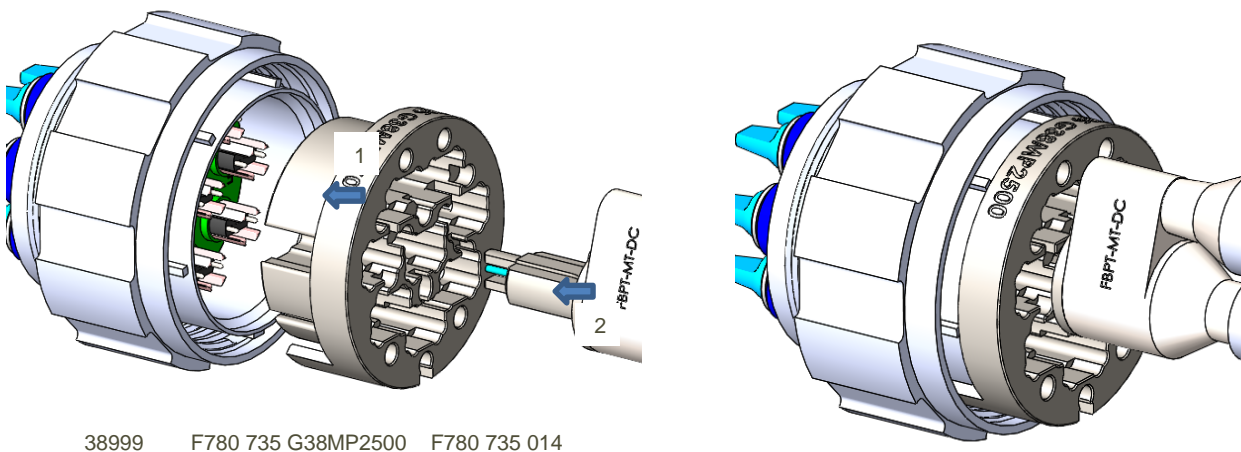


Dimensions in mm [inch]

Q-MTitan™ protects an MT ferrule to maintain excellent optical performance and provide high-density connectivity to harsh environments. Radiall has developed a full range of efficient and convenient tools for the visual inspection of the optical end-faces of the Q-MTitan™.

FEATURES:

- Dedicated guide for male Q-MTitan™ visual inspection inside 38999 equipped with 25G08 or 25N08 insert dedicated to quadrx contacts.
- Suitable for F780 735 014 microscope tip and cleaner F780 735 070
- Refer to Radiall Inspection and cleaning procedure for Q-MTitan™: 503 08 840 for further information



38999 F780 735 G38MP2500 F780 735 014