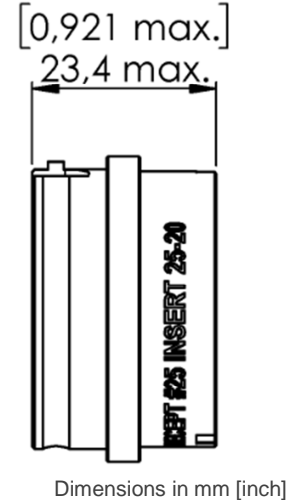
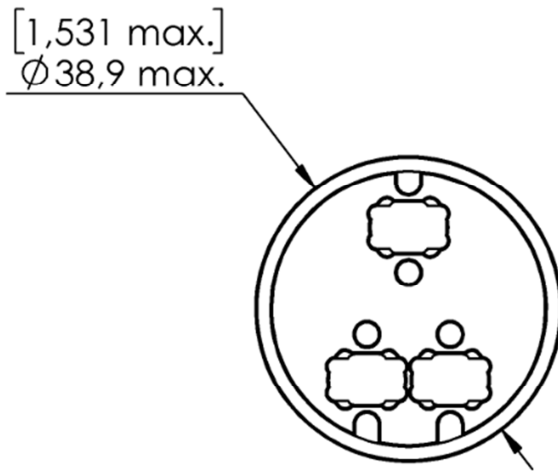


PAGE 1/1	ISSUE 20 th May, 2020	SERIES Q-MTITAN™	PART NUMBER F780 735 G38FR2501
----------	----------------------------------	------------------	--------------------------------

GUIDE FOR FEMALE Q-MTitan VISUAL INSPECTION INSIDE 38999

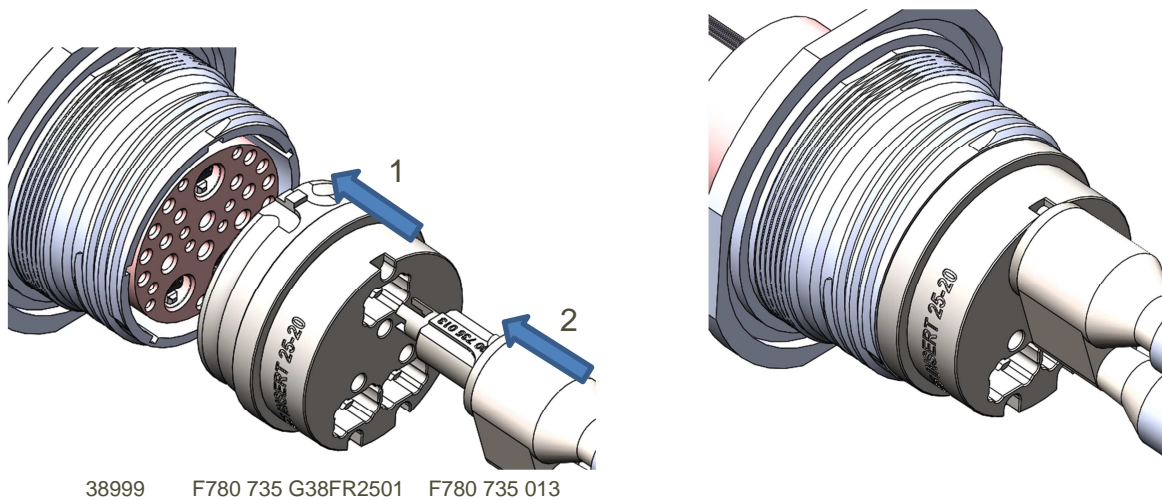


Dimensions in mm [inch]

Q-MTitan™ protects an MT ferrule to maintain excellent optical performance and provide high-density connectivity to harsh environments. Radiall has developed a full range of efficient and convenient tools for the visual inspection of the optical end-faces of the Q-MTitan™.

FEATURES:

- Dedicated guide for female Q-MTitan™ visual inspection inside 38999 equipped with 25-20 insert composed with quadrx contacts, size 12, size 16 and size 20 contacts.
- Suitable for F780 735 013 microscope tip and cleaner F780 735 070
- Refer to Radiall Inspection and cleaning procedure for Q-MTitan™: 503 08 840 for further information



38999 F780 735 G38FR2501 F780 735 013