



Title :
LC DUPLEX PC MULTIMODE ADAPTOR METAL ALIGNEMENT SLEEVE

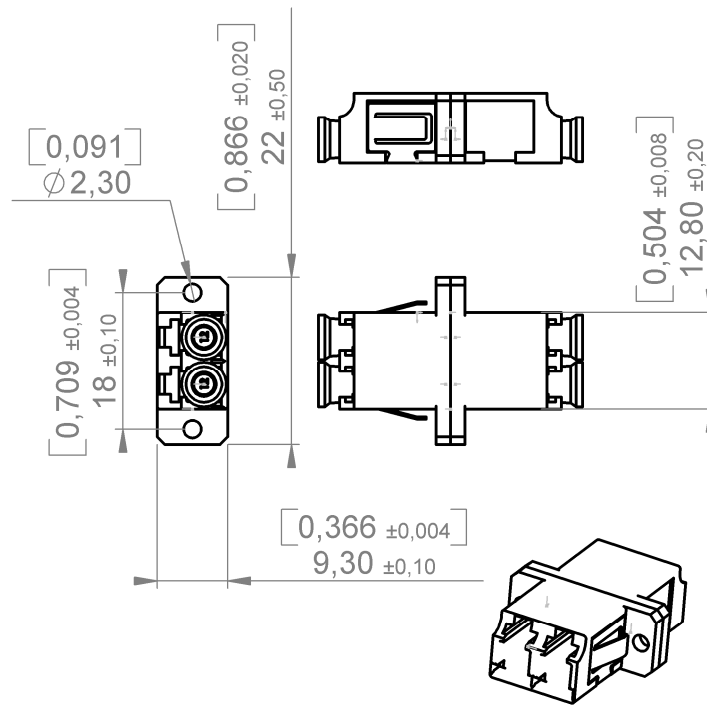
Packaging
100

Series
F727

Issue
Mar 9th 12

Page
1/1

Dimensions : mm / (inches)



GENERAL

TYPE IEC 61754 - 20 (LC)
Receptacle colour : Beige

MOUNTING SC panel cut-out screw in (max. panel thickness 1.7mm)

ALIGNEMENT SLEEVE Metal

CHARACTERISTICS (Depending on fibre or cable construction)

MATERIAL Plastic moulded (body UL94 V0 rated)

MECHANICAL Durability : 200 cycles

ENVIRONMENTAL Storage temperature - 40°C / + 85°C
Operating temperature - 25°C / + 70°C

CREATION				RADIALL ®	
N°				101, rue P. Hoffmann	
EPF :				93116 ROSNY/BOIS	
PENF050006070A				FRANCE	
Name : G.M				Tel : (33) 0149353535	
Date : 02 09 06	Mar 9th 12	Panel thickness 1,7 Max instead of 1,6 Max	BD	DT	Fax : (33) 0148546363
Appr : L.V.	Issue	Revisions	Name	Appr.	