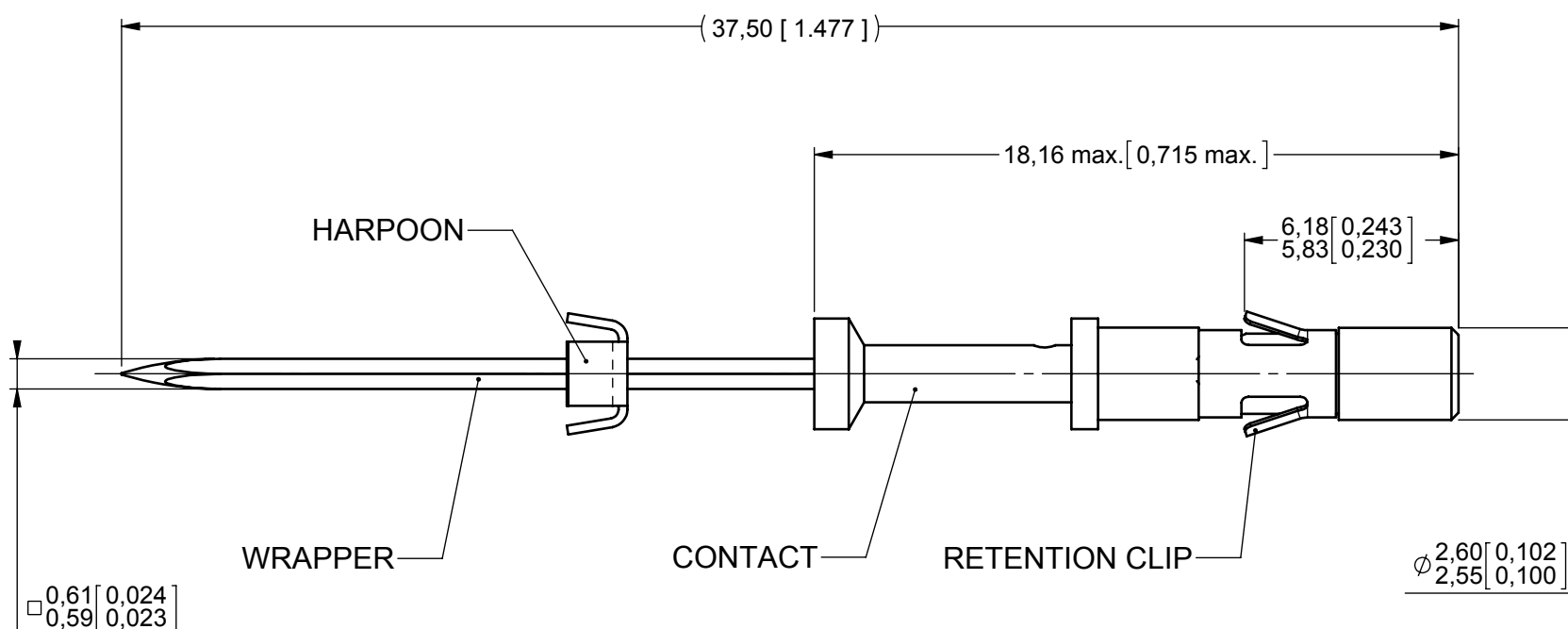


Series
MMC

WRAPPER SOCKET CONTACT

 Issue:
April 11, 2013

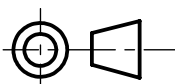
 Page
1/1

MATERIALS & FINISHES :

- CONTACT : Copper alloy; Gold over nickel plating
- RETENTION CLIP : Beryllium copper, nickel plated
- WRAPPER : Copper alloy; Gold over nickel plating
- HARPOON : Copper alloy, nickel plated.

INS/EXT TOOLS : 282921 and 282920 (Must be ordered separatly).

ESTIMATED WEIGHT : 0,55 gr. [1,905 ounces]

DIMENSIONS : mm (inch are given for information only)



Confidential information not to be disclosed to third parties without Radiall approval. This information is given as an indication. In the continual goal to improve our products, we reserve the right to make any modifications judged necessary.

4112_9311

CREATION				
PEN:				
NOM: Branjonneau				
DATE: Sept. 06, 2011	April 11, 13	Weight added	Perrin H.	/
APPR.:	Issue	Revisions	Name	Approved