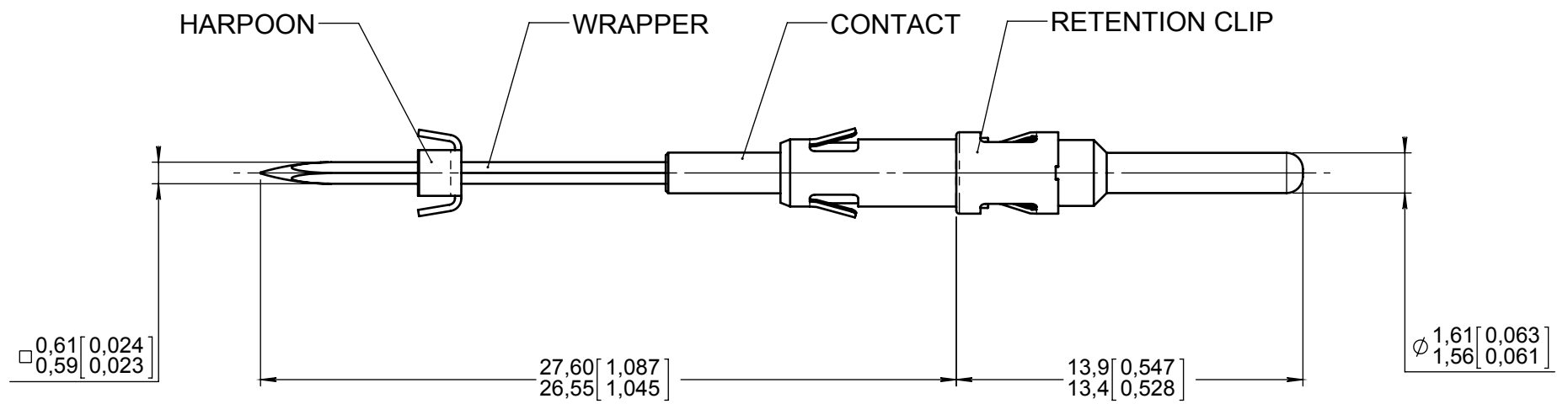


Series
MMC

FRONT REMOVABLE PIN CONTACT
FOR 2 WRAPPED CONNECTION LEVELS

Issue:
Aug. 23, 2013

Page
1/1

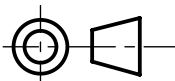


MATERIALS & FINISHES :

- CONTACT : COPPER ALLOY ; GOLD NICKEL PLATED
- RETENTION CLIP : BERYLIUM COPPER ; NICKEL PLATED
- WRAPPER : COPPER ALLOY ; GOLD OVER NICKEL PLATED
- HARPOON : BERYLIUM COPPER ; NICKEL PLATED

INS/EXT TOOLS : 282501 AND 282917 (MUST BE ORDER SEPARATLY)

DIMENSIONS : mm (inch are given for information only)



Confidential information not to be disclosed to third parties without Radiall approval. This information is given as an indication. In the continual goal to improve our products, we reserve the right to make any modifications judged necessary.

4112_9311

| | | | | |
|---------------------|-------|-----------|------|----------|
| CREATION | | | | |
| PEN: | | | | |
| NOM: Perrin H. | | | | |
| DATE: Aug. 23, 2013 | / | / | / | / |
| APPR.: Garcia L. | Issue | Revisions | Name | Approved |