

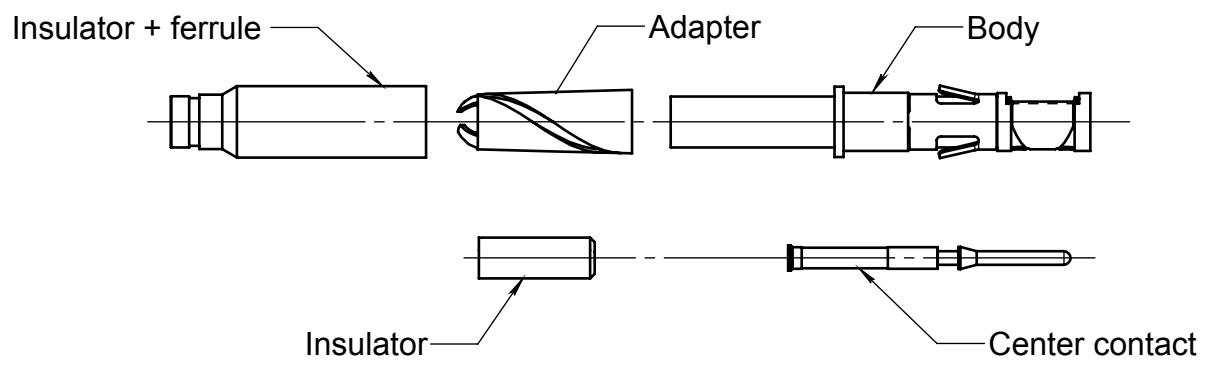
Series  
MMC

Twinax socket contact for twist pair cable

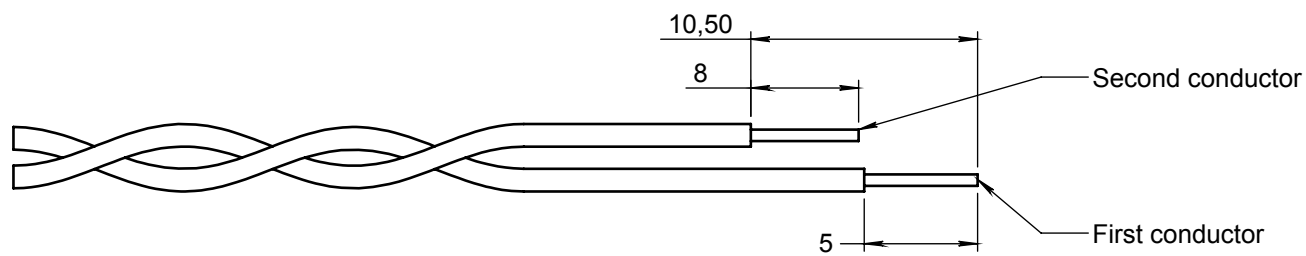
Issue:  
24/02/14

Page  
1/1

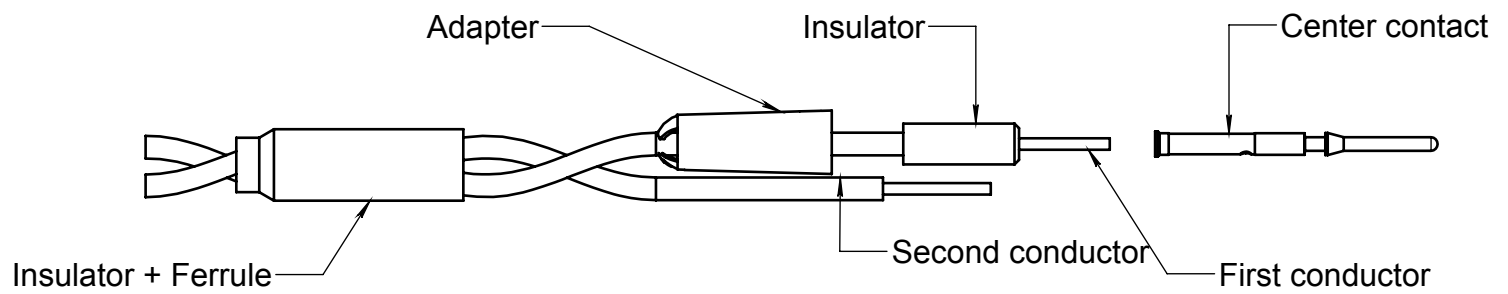
### Composition :



### Cable stripping :



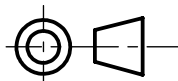
### Assembly :



- Crimp center contact on first conductor
- Crimping tool : RADIALL 282 281
- Positioner : RADIALL 282 981
- Insert the center contact in body up to ratchet mechanism
- Slide the adapter on body
- Insert the second conductor in the adapter slot
- Slide the ferrule on adapter
- Crimp the ferrule
- Crimping tool : RADIALL 282 292
- Positioner : RADIALL 282 973
- Extraction tool : RADIALL 282 920

Note: Insulator and ferrule are shipped assembled

DIMENSIONS : mm (inch are given for information only)



CREATION				
PEN:				
NOM: MARGOTTIN				
DATE: Feb. 24, 2014	/	/	/	/
APPR.:	Issue	Revisions	Name	Approved

This document contains proprietary information and such information shall not be disclosed to any third party for any purpose whatsoever or used for manufacturing purposes without prior written agreement from RADIALL. This information is given as an indication. In the continual goal to improve our products, we reserve the right to make any modifications judged necessary.

4112\_9311