

Note : Mating end of contact according to MIL-C-39029/57-358

Materials and finishes:

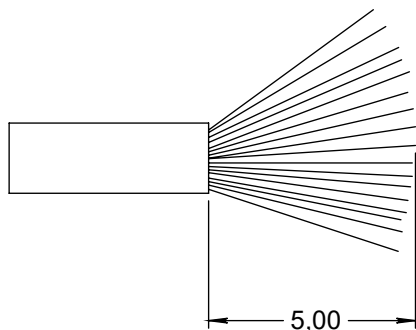
- Body: copper alloy ; Gold over nickel plated.
- Protective sleeve: Stainless steel.

Notes:

- Used with 2 x AWG16 cables.
- Once crimped, contact installed in a connector cannot be removed.

Crimping instructions:

- Stripped cable dimension: 5,00 mm
- Roll out cable conductors.

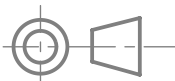


- Put 2 cables against each other.
- Push cables inside the barrel.
- Crimping tool: M22520/1-01.
- Locator: M22520/1-04.
- Selectors:
 - . For 2 AWG 16: 7

Crimping note:

- Inspection hole is in the crimping area

DIMENSIONS : mm (inch are given for information only)



This information is given as an indication. In the continual goal to improve our products, we reserve the right to make any modifications judged necessary.

4112_9311

CREATION				
PEN: 20177248				
NOM: MOUGIN S.	03-04-19	Crimping Note added	MOUGIN	MOYON
DATE: 10-08-18	15-11-18	Crimp barrel ajustement up to date	MOUGIN	MOYON
APPR.: MOYON S.	05-11-18	Crimping instruction : Selector 7	MOUGIN	MOYON
	17-10-18	Crimping instruction up to date	MOUGIN	MOYON
	Issue	Revisions	Name	Approved