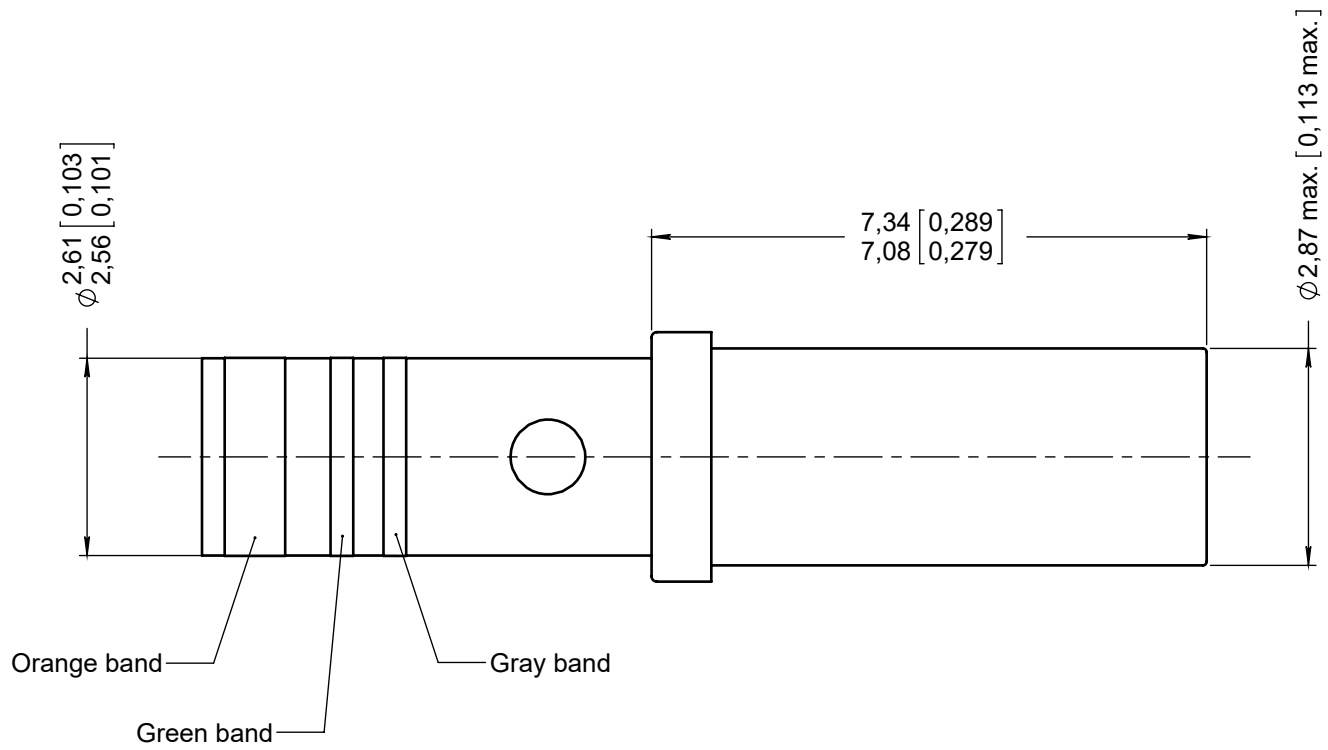


Series
MULTI

SOCKET CRIMP CONTACT SIZE 16
MIL-C-39029/57-358

Issue:
Feb. 14, 2024

Page
1/1



Contact according to MIL-C-39029/57-358

DIMENSIONS : mm (inch are given for information only)



Estimated weight : 0,50 g

This document contains proprietary information and such information shall not be disclosed to any third party for any purpose whatsoever or used for manufacturing purposes without prior written agreement from RADIALL. This information is given as an indication. In the continual goal to improve our products, we reserve the right to make any modifications judged necessary.

4112_9311

CREATION				
PEN: 2009-02-2641				
NOM: BECAVIN P.				
DATE: Jan 14th, 2011				
Feb. 14, 24	Modified series classification on title	Weihs H.	Becavin P.	
CHEC.: SOURDILLON G.	Issue	Revisions	Name	Checked