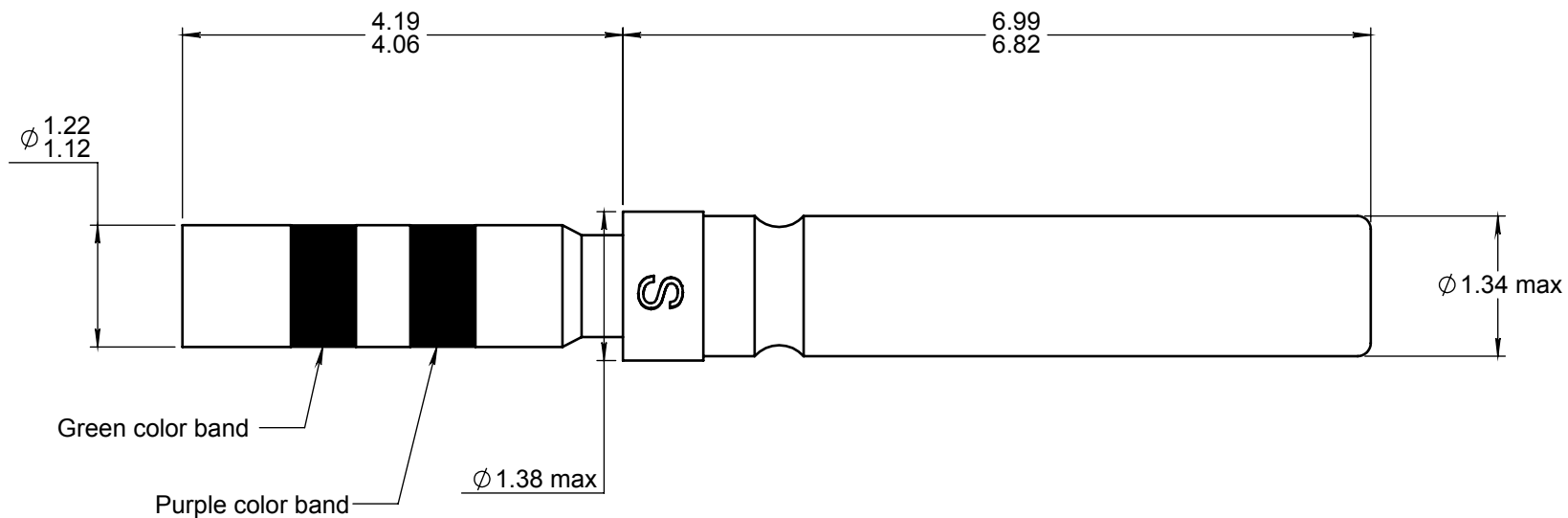


Series
QF

SIZE 23 SOCKET CRIMP CONTACT
For AWG22, 24 and 26 cables.

Issue:
24-08-15

Page
1/1



Materials and finishes:

- Body: Beryllium copper per ASTM-B-196; Gold (1,27 µm min) per AMS-2422 over nickel (2,5 µm min) per AMS-QQ-N-290 plated.
- Protective sleeve: Stainless steel per SAE-AMS-5514.

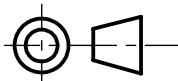
Insertion / Extraction tool: 282 549 049.

Crimping instruction:

- Cable stripped length: 3,80 mm.
- Crimping tool: 282 281 (M22520/2-01).
- Locator: 282 581 019.
- Selectors:
 - . AWG 22: 4
 - . AWG 24: 3
 - . AWG 26: 2

Note: For use in QF series, the cable overall diameter should not exceed 1,20 mm.

DIMENSIONS : mm



Weight: 0.06g

CREATION PEN: EPM 15002 NOM: GARCIA L. DATE: 24-08-15 APPR.: MOUGIN S.				
	Issue	Revisions	Name	Approved