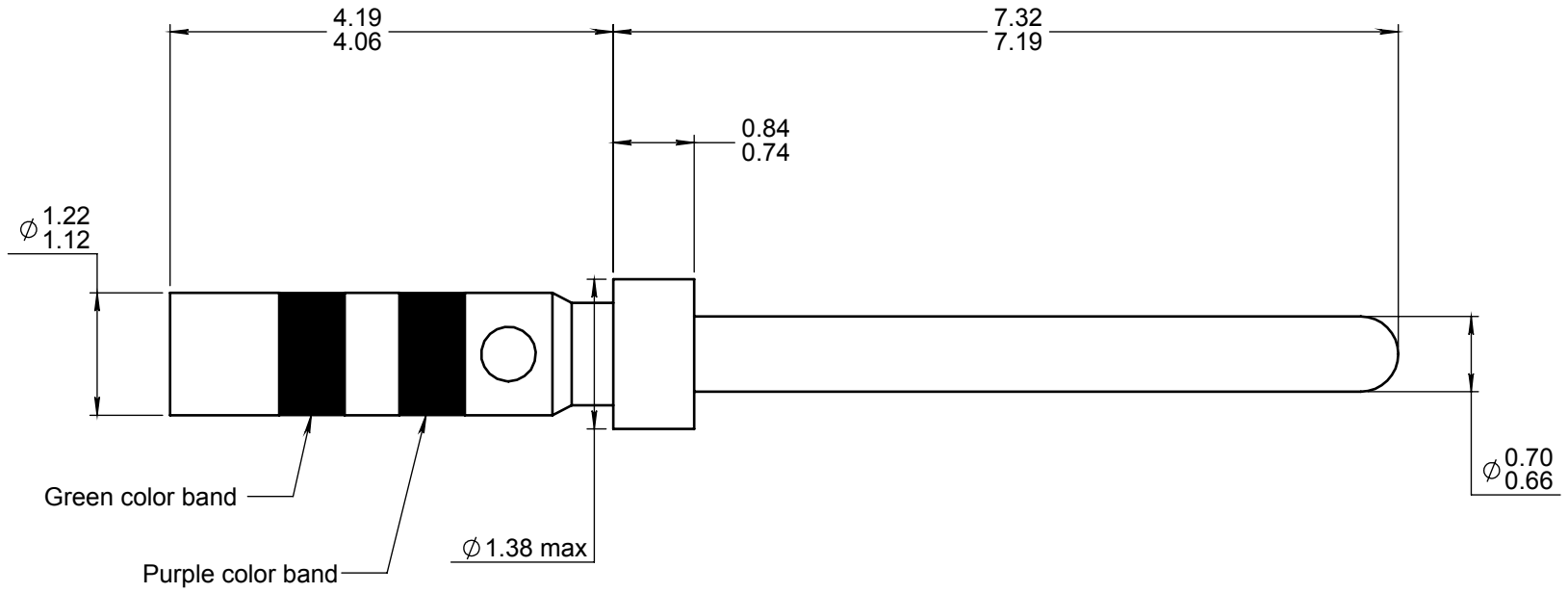


Series
QF

SIZE 23 PIN CRIMP CONTACT
For AWG22, 24 and 26 cables.

Issue:
25-08-15

Page
1/1



Material and finish:

- Copper alloy (C19160); Gold (1,27 μm min) per AMS-2422 over nickel (2,5 μm min) per AMS-QQ-N-290 plated.

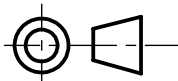
Insertion / Extraction tool: 282 549 049.

Crimping instruction:

- Cable stripped length: 3,80 mm.
- Crimping tool: 282 281 (M22520/2-01).
- Locator: 282 581 019.
- Selectors:
 - . AWG 22: 4
 - . AWG 24: 3
 - . AWG 26: 2

Note: For use in QF series, the cable overall diameter should not exceed 1,20 mm.

DIMENSIONS : mm



Weight: 0.05g

This information is given as an indication. In the continual goal to improve our products, we reserve the right to make any modifications judged necessary.

4112_9311

CREATION				
PEN: EPM 15002				
NOM: GARCIA L.				
DATE: 25-08-15				
APPR.: MOUGIN S.				
Issue	Revisions	Name	Approved	