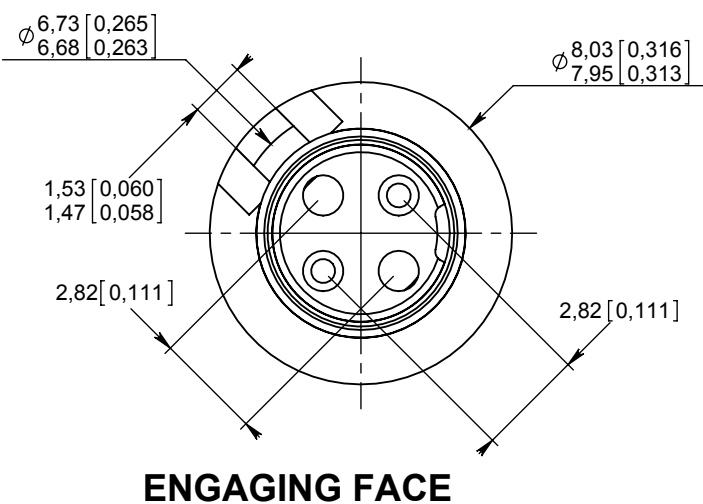
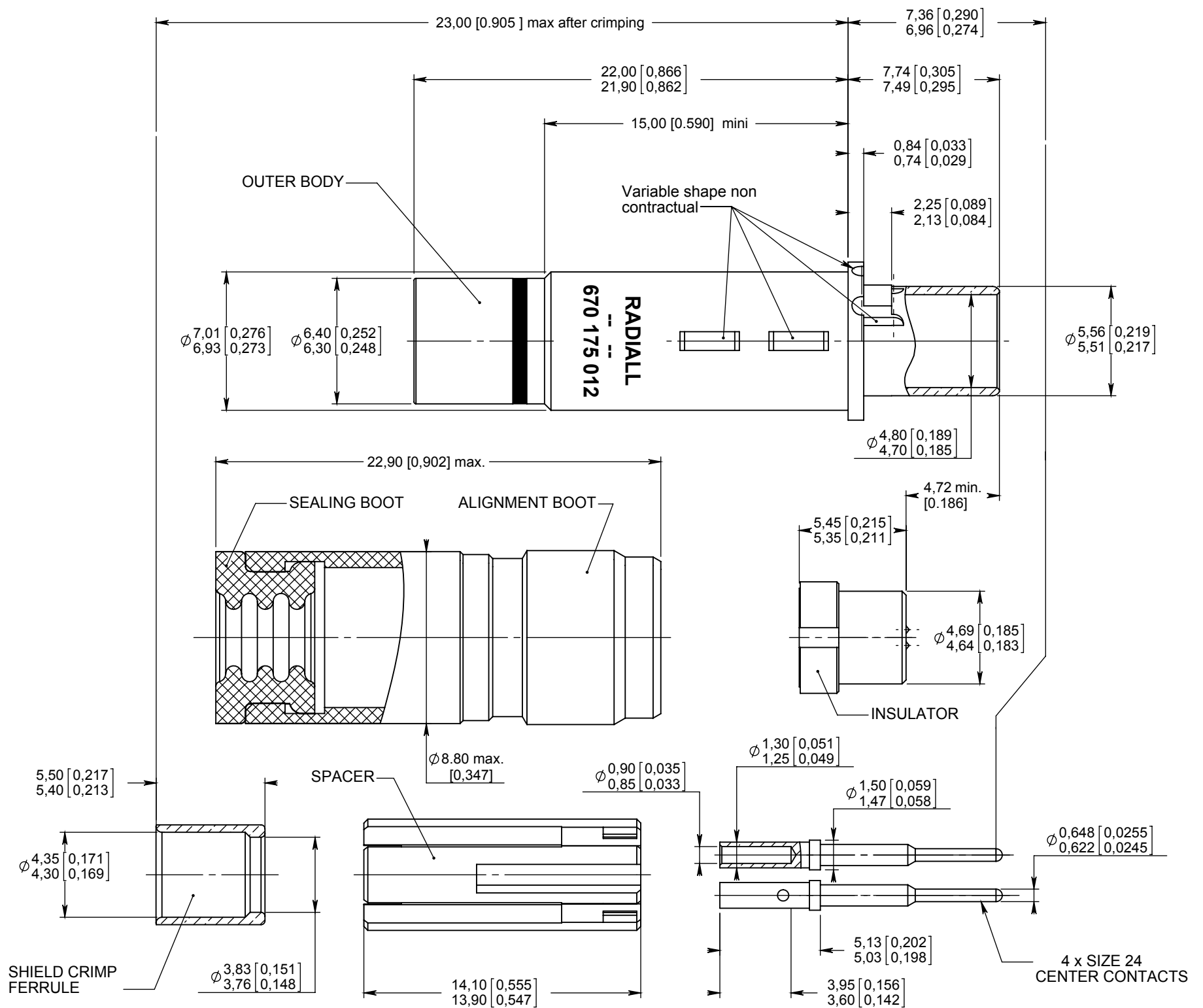


Series
670

ENVIRONMENTAL SIZE 8 PIN QUADRAx CONTACT
CRIMP TYPE FOR MIL-DTL-38999 SERIE III CONNECTOR
Tensolite NF24Q100 or PIC E51424 cables.

Issue:
May 19, 2016

Page
1/1



MATERIALS AND FINISHES:

- OUTER BODY: BRASS PER ASTM B 453/B 453M
- CENTER CONTACT: COPPER ALLOY C19160
- FERRULE: BRASS PER ASTM B 455
- INSULATOR: TEFLON PFA PER ASTM D 3307-00 OR ASTM D 1710
- SPACER: PEI ULTEM PER ASTM D 5205
- ALIGNMENT BOOT: PPS PER ASTM D 4067
- SEALING BOOT: FLUOROSILICON PER AMS R 25988

ALL METALLIC PARTS : GOLD PLATE PER SAE AMS 2422 , 50 MICROINCHES MINIMUM
OVER A NICKEL PLATE PER SAE AMS-QQ-N-290, CLASS 2
100 MICROINCHES MINIMUM

CHARACTERISTICS:

- TEMPERATURE RANGE : -65°C / +175°C

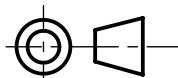
EXTRACTION TOOL : M 81969/28-03 OR M81969/14-06 (RADIALL 282 549 001)

WIRING INSTRUCTIONS : SEE RP 58866

NOTE:

- MATING INTERFACE AND OUTER DIMENSIONS COMPLIANT TO EN3155-074 STANDARD.
- WEIGHT: 4,55 gr. [0,1605 ounces] approx.

DIMENSIONS : mm (inch are given for information only)



| CREATION | DATE | REVISIONS | NAME | APPROVED |
|----------|---------------|--|-----------|-------------|
| | May 19, 2016 | Temperature range added. - Inner ct position was 2,83 | H. Perrin | Chartier A. |
| | Mar. 03, 2016 | Cable "PIC E51424" added - Estimated weight was 5 gr. Center contact material was C97. | H. Perrin | OPIN X. |
| | Dec. 21, 2011 | Sealing/alignment boot change - Weight added. | H. Perrin | OPIN X. |
| | 08/07/2011 | Note "MATING INTERFACE..." added | H. Perrin | OPIN X. |
| | 25/08/2010 | Note " Variable shape non contractual " added. | H. Perrin | BVDM |
| | 24/06/2009 | "QUALIFICATION IN PROGRESS" note cancelled. Test Report N° 2008.38.0324 | H. Perrin | |
| | 12/07/2006 | Update spacer and alignment boot materials | B VAN DEN | |
| | Issue | | | |

670175012EN

RADIALL PROPRIETARY INFORMATION

This document contains proprietary information and such information shall not be disclosed to any third party for any purpose whatsoever or used for manufacturing purposes without prior written agreement from RADIALL. This information is given as an indication. In the continual goal to improve our products, we reserve the right to make any modifications judged necessary.

4112_9311