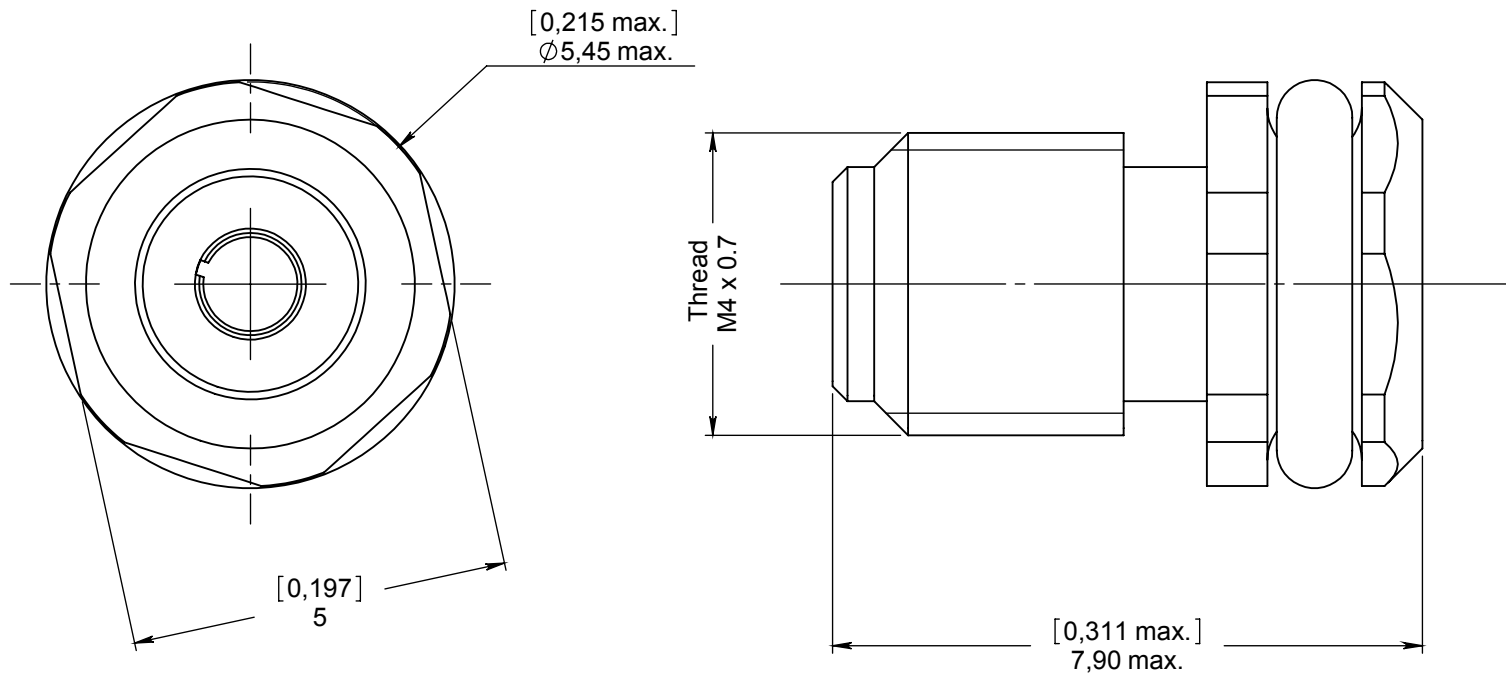


Series  
**NSX**

Sleeve holder for #8 Quadrax Cavity Reducer

Issue:  
Feb. 25, 2010

Page  
**1/1**



**MATERIALS :**

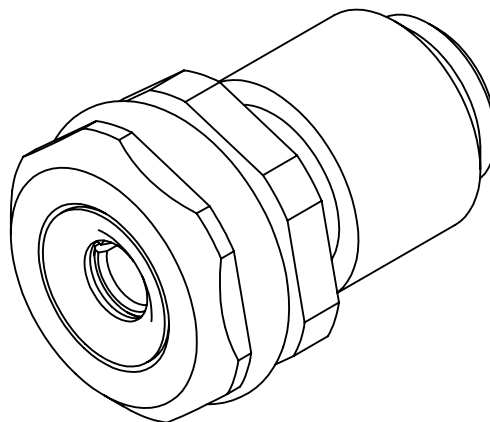
Body : Brass per SAE-C 38500.  
Alignment sleeve : Phosphor bronze per ASTM B139/b139 M-01.  
"O" ring : Fluorosilicone elastomer.

**FINISHES :**

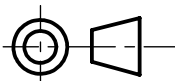
Body : Electrodeposited nickel per SAE-AMS-QQ-N-290.

**NOTES :**

Installation tool : Hexagon box spanner across flats of 5 [0,197].  
Coupling torque: 0.20 to 0.25 N.m [1.77 to 2.21 Lbf.in].



**DIMENSIONS : mm (inch are given for information only)**



Confidential information not to be disclosed to third parties without Radiall approval. This information is given as an indication. In the continual goal to improve our products, we reserve the right to make any modifications judged necessary.

4112\_9311

<b>CREATION</b>				
<b>PEN:</b>				
<b>NOM:</b> HUGER D.	Feb. 25, 10	Suppressed "Preliminary"	Legendre T.	Brochet L.
<b>DATE:</b> DEC. 13 2004	April 28, 08	Coupling torque 0.25/0.30-> 0.20/0.25 N.m Ø5.55-> Ø5.45max.; 7.80-> 7.90 max	Surault	BROCHET
<b>APPR.:</b> PERRIN H.	March 31 06	Adding coupling torque.	Perrin H.	MVDM
	Issue	Revisions	Name	Approved