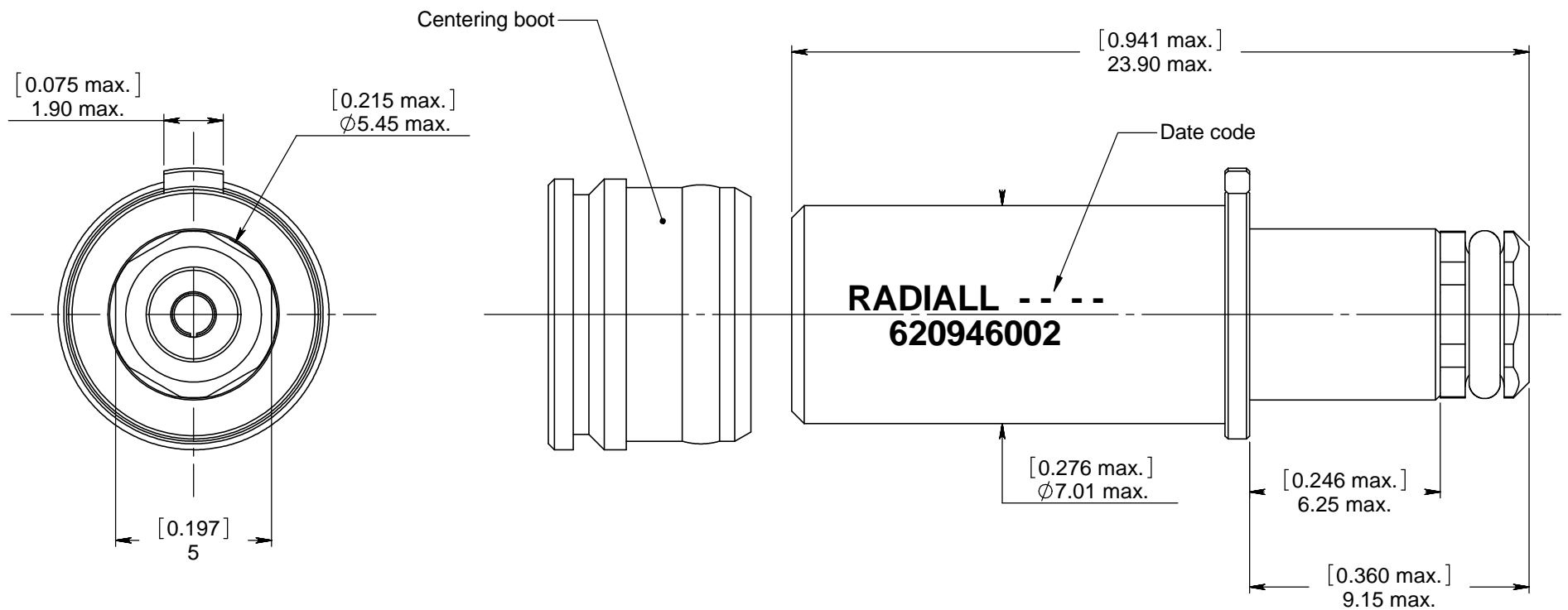


Series  
NSX

Rear Release / Rear removable Pin Quadrax #8 Cavity Reducer  
for ML or MT LuxCis Optical Contacts

Issue:  
Jan. 30, 2012

Page  
1/1



### MATERIALS :

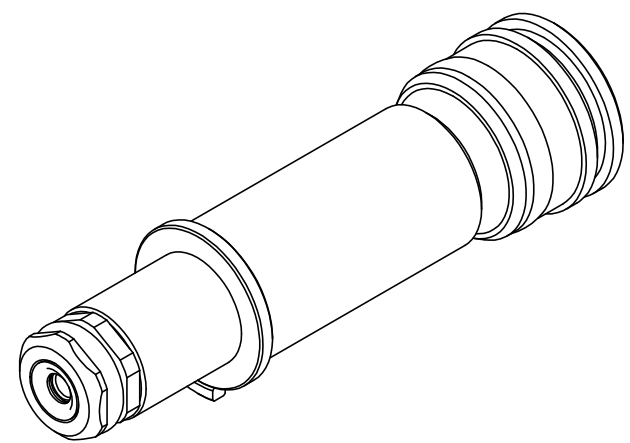
- Body : Brass per SAE-C 38500.
- Retention clip : Beryllium copper per ASTM B194 or B196.
- Sleeve holder : Brass per SAE-C 38500.
- Alignment sleeve : Phosphor bronze per ASTM B139/b139 M-01.
- "O" ring : Fluorosilicone elastomer.
- Centering boot : FPTE per ASTM-0-1710 or equivalent.

### FINISHES :

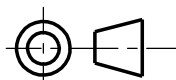
- Body : Electrodeposited nickel per SAE-AMS-QQ-N-290

### Notes :

- Sleeve holder can be remove with a tubular hexagon box spanner across flats of 5 [0,197];
- Coupling torque: 0.25 N.m ± 5% [2.215 lbf.in 5%].
- Can be ordered separately : P/N 620 946 004.



DIMENSIONS : mm (inch are given for information only)



CREATION				
PEN:	Jan. 30, 12	Suppressed HL and HT compatibility in title	LEGENDRE T.	DUPUIS V.
	July 02 08	0.25 N.m ± 5% [2.215 lbf.in 5%] was 0.25 to 0.30 N.m [2.21 to 2.66 lbf.in]	VALGRESY	BROCHET
NOM: HUGER D.	April 28, 08	FPTE-> PTFE-Coupling torque 0.25/0.30-> 0.20/0.25N.m Add marking- dimension updated.	Surault	Brochet
DATE: Dec. 13, 2004	March 31 06	Adding coupling torque.	Perrin H.	MVDM
APPR.: PERRIN H.	Issue	Revisions	Name	Approved