

SALES DRAWING

620 391

Edition : 620391A

Page

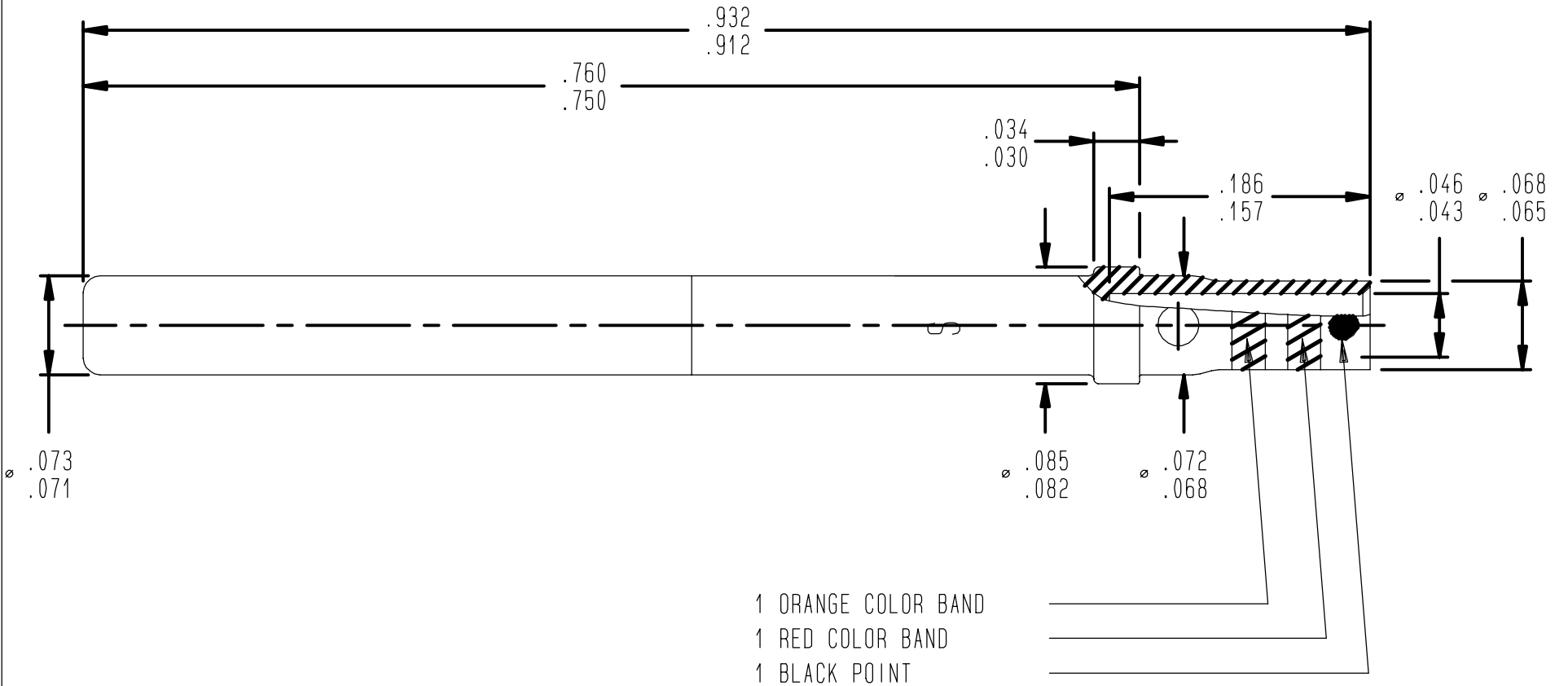
SERIE : NSX

1 / 1

TITLE : SIZE 20HD CRIMP SOCKET CONTACT  
ALUMEL

PEN :

THIS DOCUMENT WAS CREATED BY CAD. IT CANNOT BE MODIFIED EXCEPT BY CAD.



MATERIAL :  
CONTACT BODY : ALUMEL  
PROTECTIVE SLEEVE : NON MAGNETIC STAINLESS STEEL

WIRES ACCOMODATED : AWG 20 22 24  
INSULATION DIAMETER : .071 MAX  
STRIP LENGTH : .158

TOOLING  
CRIMPING TOOL : M22520/2-01 RADIAL 282 281  
SELECTOR POSITION : 7 FOR AWG 20  
6 FOR AWG 22  
5 FOR AWG 24

POSITIONER : M22520/2-08 RADIAL 282 971  
INSERTION TOOL : M81969/1-02 RADIAL 282 881  
EXTRACTION TOOL : M81969/1-02 RADIAL 282 891

IND	MODIFICATIONS	DATE	DRAWN	DATE	CHECKED
DATE: SEPT 18 92	DRAWN: L FALETTI				
DATE:	CHECKED:				