

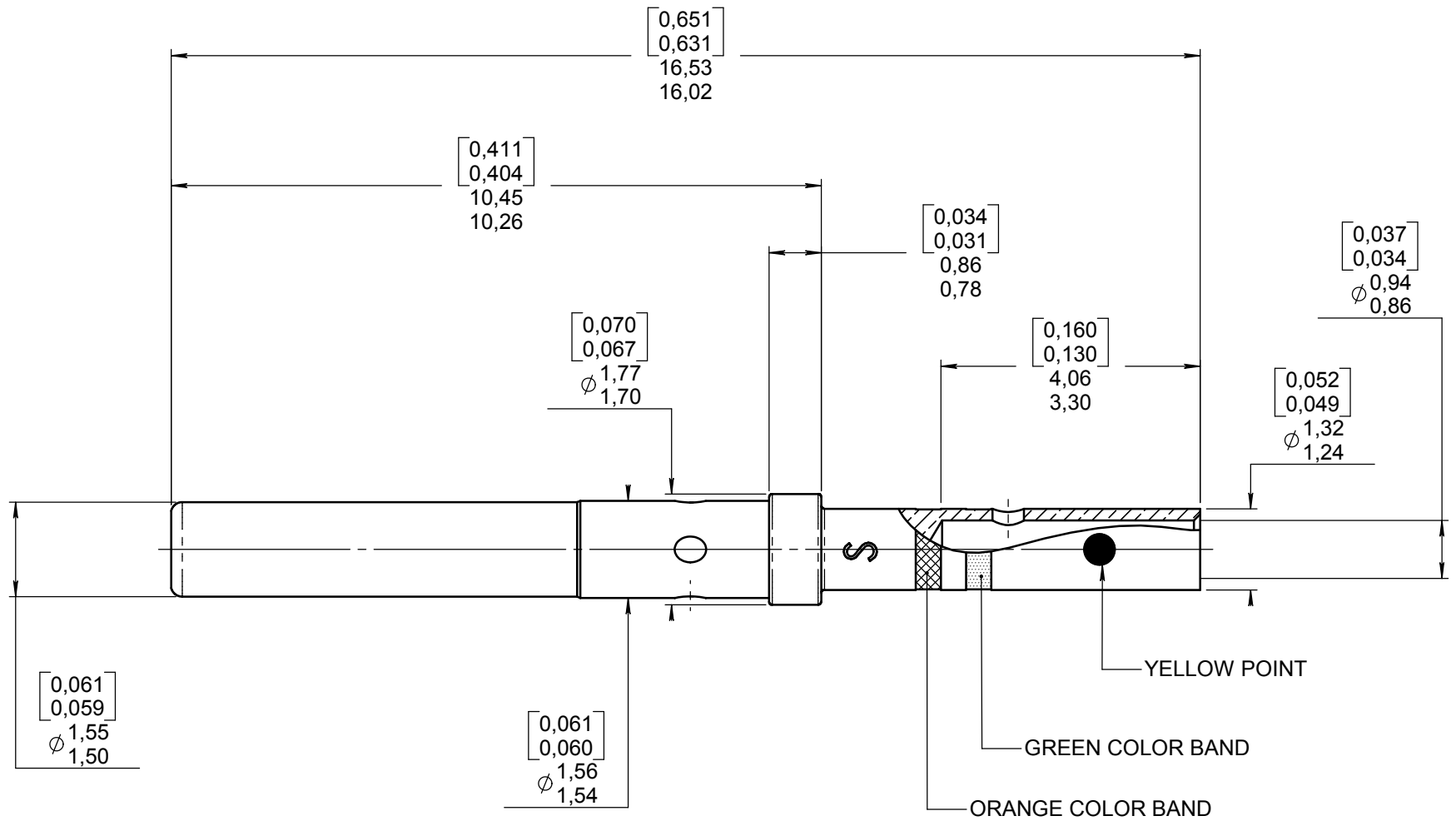


Series
NSX

SIZE 22 CRIMP SOCKET CONTACT CHROMEL
FOR AWG 22 , 24 AND 26 CABLES

Issue:
AUG 12 2005

Page
1/1



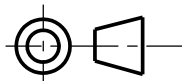
MATERIAL / FINISH:
CONTACT BODY : CHROMEL
PROTECTIVE SLEEVE : NON MAGNETIQUE STAINLESS STEEL PASSIVATED PER SAE AMS-5514

WIRES ACCOMODATED : AWG 22-24-26
INSULATION DIAMETER : 1,40 (.055)
STRIP LENGHT: 3,50 (.138)

TOOLING:
CRIMPING TOOL : M22520/2-01 RADIALL 282 281
SELECTOR POSITION : 4 FOR AWG 22
3 FOR AWG 24
3 FOR AWG 26

POSITIONNEUR : M22520/2-23 RADIALL 282 970
INSERTION AND EXTRACTION TOOL : M81969/1-01 RADIALL 282 885

DIMENSIONS : mm (inch) -



This information is given as an indication. In the continual goal to improve our products, we reserve the right to make any modifications judged necessary.

4112_9311

CREATION				
PEN:				
NOM: L FALETTI				
DATE: SEPT 16 1992	AUG 12 05	MODIF POSITION MARKING OF "S"	VALGRESY	GOMBERT
APPR.:	MAR 29 93	REPOSITIONNING OF COLOR BAND AND BLACK POINT	MACARI	/
	Issue	Revisions	Name	Approved