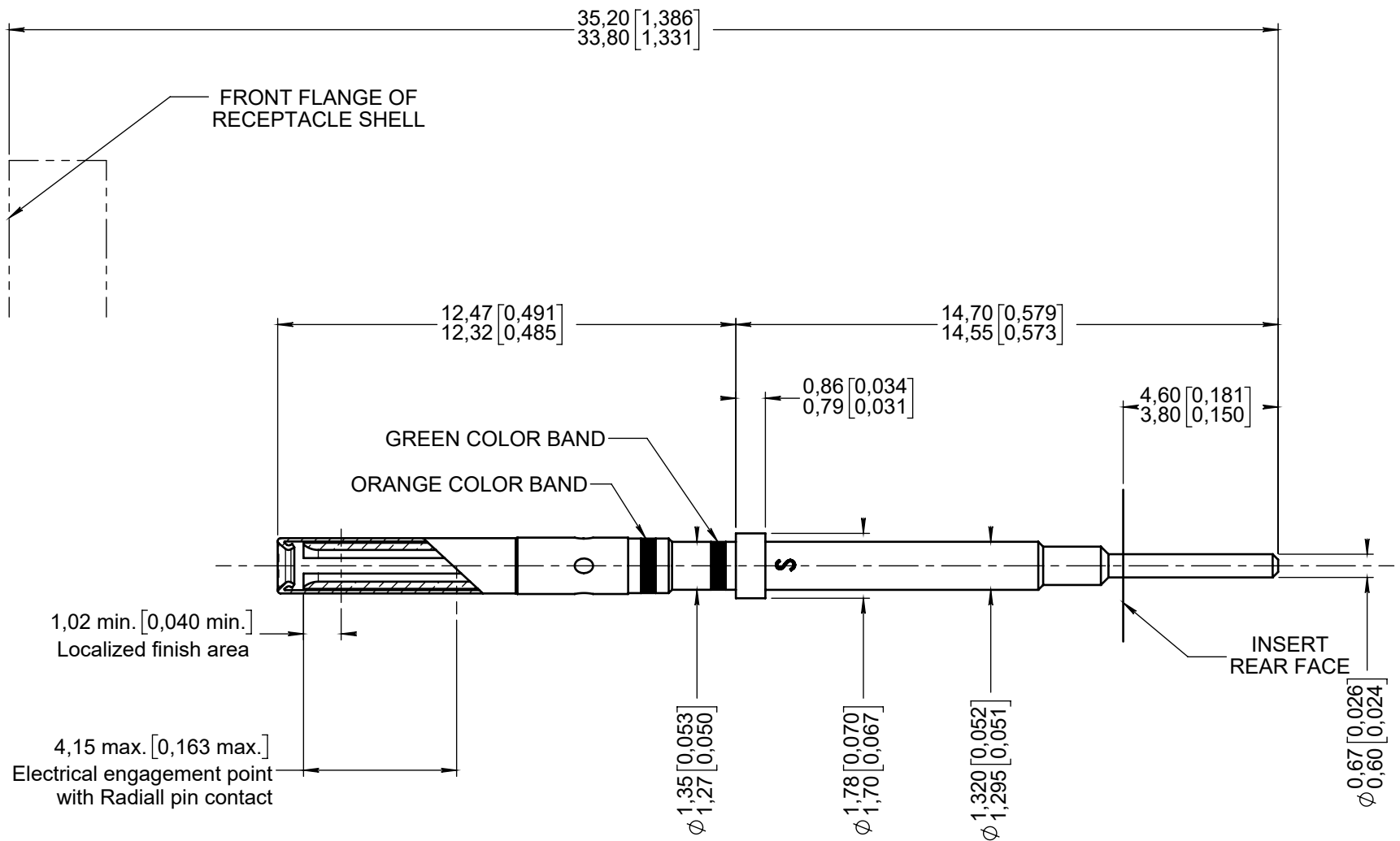


Series
NSX

SIZE 22 FRONT RELEASE, FRONT REMOVABLE
PC POST SOCKET CONTACT
SELECTIVE GOLD PLATED CONTACT

Issue:
April. 04, 2019

Page
1/1



MATERIAL :

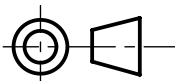
- LEADED NICKEL COPPER
- PROTECTIVE SLEEVE : STAINLESS STEEL PER AMS 5514

FINISH :

- LOCALIZED FINISH AREA :
GOLD PLATED IN ACCORDANCE WITH MIL-DTL-45204, TYPE I OR II, GRADE C OR D, 50 MICROINCH MINIMUM THICK.
- MAX ELECTRICAL ENGAGEMENT POINT, CONTACT BODY AND TAIL
GOLD PLATED IN ACCORDANCE WITH MIL-DTL-45204, TYPE I OR II, GRADE C OR D, 5 MICROINCH MINIMUM THICK.
OVER NICKEL ON THE ENTIRE CONTACT BODY SURFACE.
- PROTECTIVE SLEEVE : PASSIVATED

EXTRACTION TOOL : RADIALL 282500

DIMENSIONS : mm (inch are given for information only)



Estimated weight : 0.26 g

<p>CREATION</p> <p>PEN: /</p> <p>NOM: BRANJONNEAU V.</p> <p>DATE: April. 04, 2019</p> <p>APPR.: RAMOS D.</p>				
	Issue	Revisions	Name	Approved

620360200EN

RADIALL PROPRIETARY INFORMATION

This document contains proprietary information and such information shall not be disclosed to any third party for any purpose whatsoever or used for manufacturing purposes without prior written agreement from RADIALL. This information is given as an indication. In the continual goal to improve our products, we reserve the right to make any modifications judged necessary.

4112_9311