

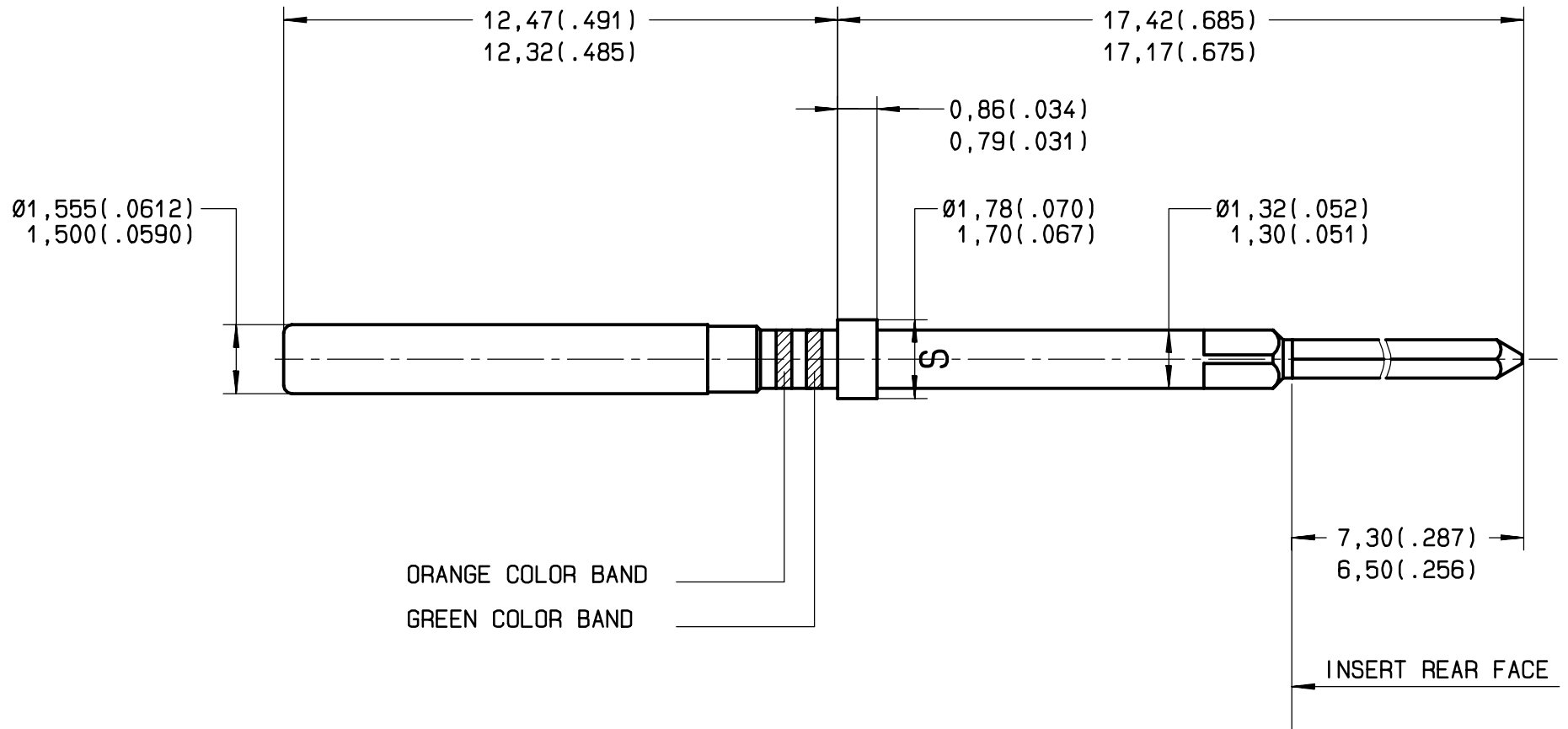


Series  
NSX

SIZE 22 FRONT RELEASE, FRONT REMOVABLE WIRE WRAP SOCKET CONTACT  
POST EXTENSION 6,35 (.250)

Issue:  
07 NOV.00

Page  
1 / 1



**\*MATERIAL:**

- LEADED NICKEL COPPER (C97)
- PROTECTIVE SLEEVE: STAINLESS STEEL PER AISI 305

**\*FINISH:**

- BODY: PLATING .00005 INCH OF GOLD PER MIL-G-45204 TYPE I OR II GRADE C OR D CLASS 1 OVER NICKEL PER QQ-N-290
- PROTECTIVE SLEEVE: PASSIVATED

EXTRACTION TOOL: RADIALL 282 500

This information is given as an indication. In the continual goal to improve our products, we reserve the right to make any modifications judged necessary.

4112\_9311

CREATION				
PEN:				
NOM: MACARI				
DATE: 31 JULY 85	07 NOV.00	REDRAWN BY CAD	MACARI	
APPR.: .	Issue	Revisions	Name	Approved