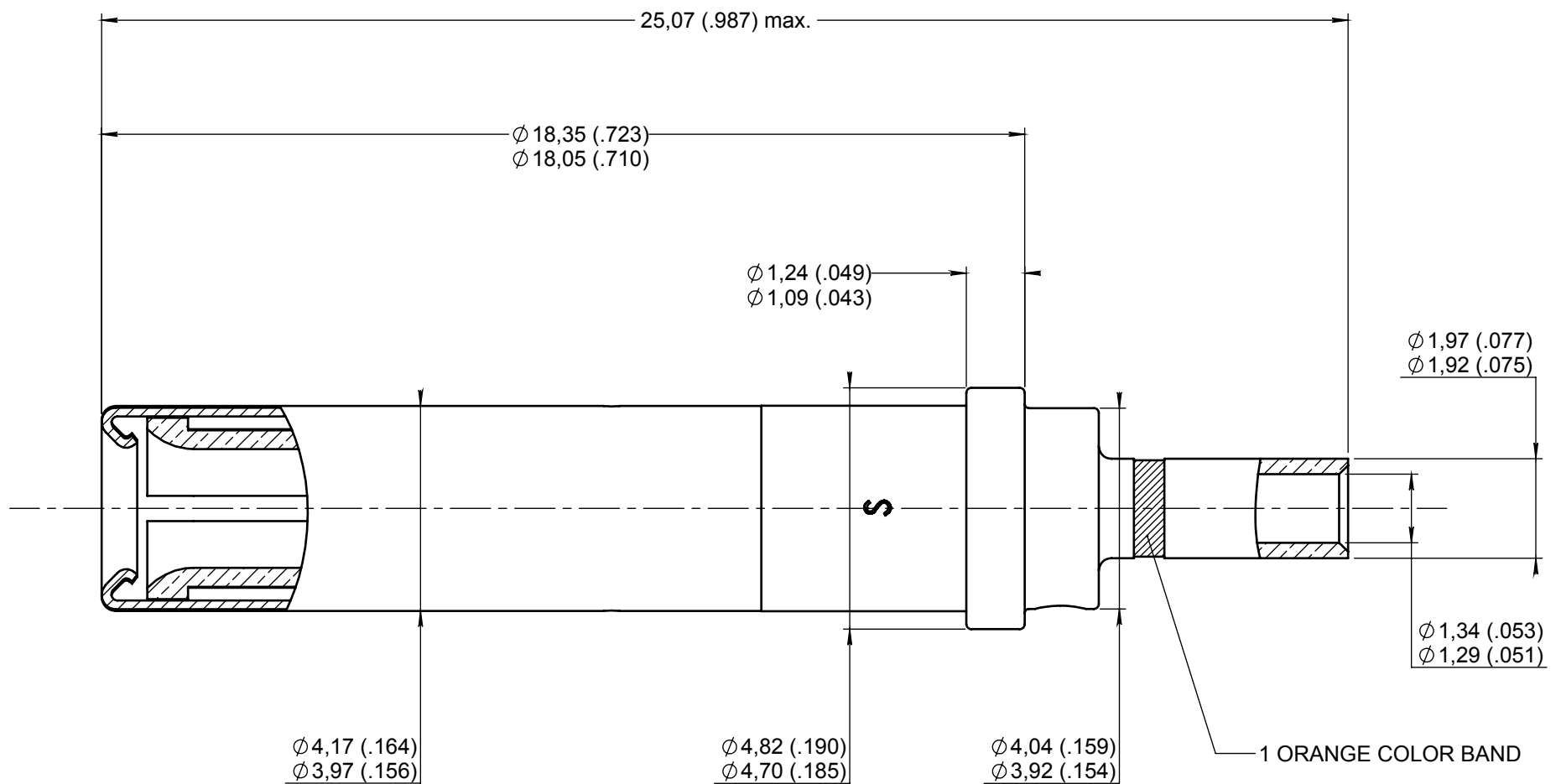


**Series
NSX**
**SIZE 12 REAR RELEASE, REAR REMOVABLE CRIMP SOCKET CONTACT
REDUCED BARREL FOR AWG 18 - 20 - 22 -24**
**Issue:
Apr. 27, 16**
**Page
1/1**

MATERIALS :

CONTACT BODY : BERYLLIUM COPPER PER ASTM B 196

PROTECTIVE SLEEVE : STAINLESS STEEL PER SAE AMS-5514

FINISH :

 CONTACT BODY : PLATING .00005 INCH OF GOLD PER MIL-DTL-45204 OVER NICKEL PER SAE AMS 2403
 CONTACT PROTECTIVE SLEEVE : PASSIVATED

WIRES ACCOMODATED : AWG 18 - 20 - 22 -24

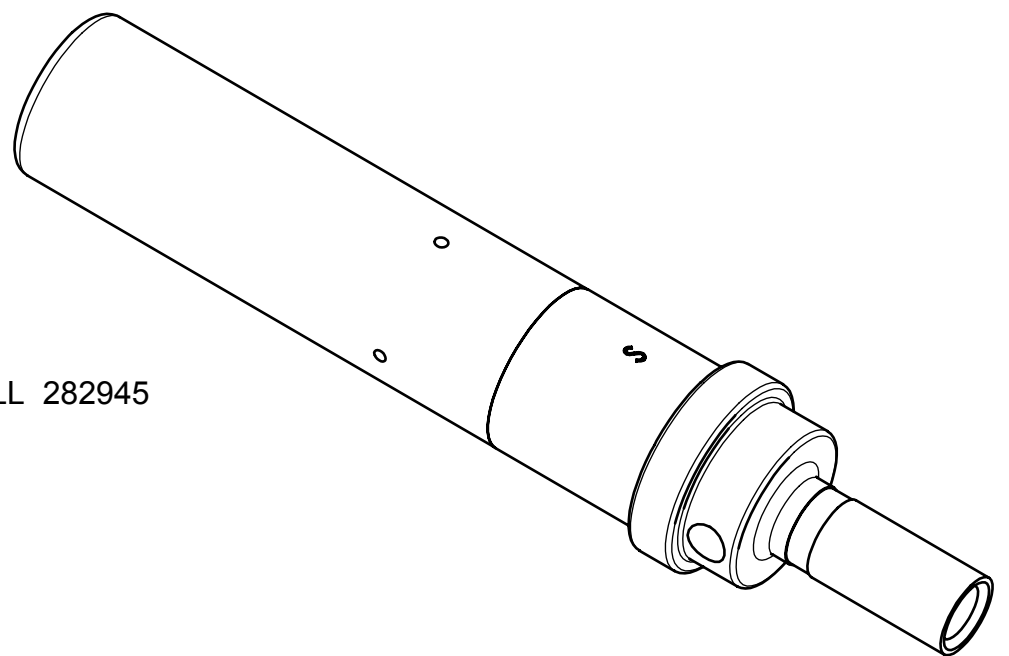
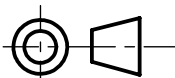
 INSULATION DIAMETER : 3,43 (.135) MAX
 STRIP LENGTH : 6 (.236)

TOOLING :

 CRIMPING TOOL : M22520/1-01 RADIALL 282291
 SELECTOR POSITION : 5 FOR AWG 18
 4 FOR AWG 20
 3 FOR AWG 22
 2 FOR AWG 24

POSITIONER : M22520/1-02 RADIALL 282972

INSERTION AND EXTRACTION TOOL : M81969/28-02 RADIALL 282945


DIMENSIONS : mm (inch are given for information only)


Estimated weight : 1.35 g

CREATION PEN: / NOM: Macari JP. DATE: Jan. 24, 1989 APPR.: /				
	Apr. 27, 16	Updated 3D view	Pecault B.	Legendre T.
	Aug. 04, 14	Updated	Branjonneau	Moutault
	Issue	Revisions	Name	Approved

This document contains proprietary information and such information shall not be disclosed to any third party for any purpose whatsoever or used for manufacturing purposes without prior written agreement from RADIALL. This information is given as an indication. In the continual goal to improve our products, we reserve the right to make any modifications judged necessary.

4112_9311