



RADIALLE®
MULTICONTACT CONNECTORS

TECHNICAL DATA SHEET

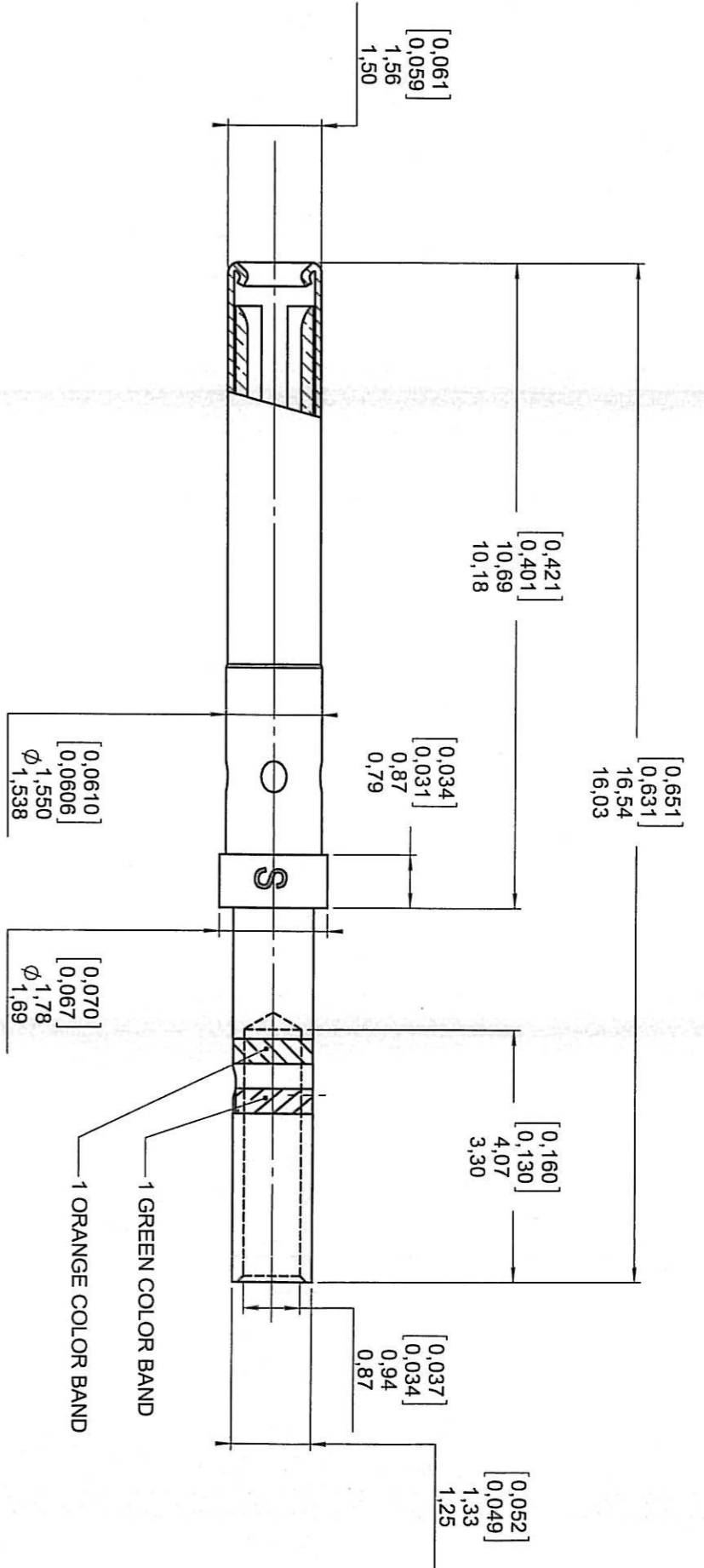
620 300

Series
NSX

SIZE 22 CRIMP REMOVABLE SOCKET CONTACT

Issue:
JAN 06, 2009

Page
1/1



MATERIAL:
CONTACT BODY : COPPER ALLOY (C97)
PROTECTION SLEEVE : STAINLESS STEEL PER SAE AMS-5514

FINISH:
CONTACT BODY : PLATING .00005 INCH OF GOLD PER SAE AMS-2422 OVER NICKEL PER SAE AMS-QQ-N-290
CONTACT PROTECTIVE SLEEVE : PASSIVATED

WIRING INSTRUCTIONS:
WIRES ACCOMMODATED : AWG 22 - 24 and 26
INSULATION DIAMETER : 1.4 max (.055)
STRIP LENGTH : 3.50 (.138)

CRIMP CONTACT TENSILE REQUIREMENTS USING MIL SPEC TOOLING AND WIRE SPEC
M22520/2-01 20 GA. 5.5 ddn (11LBS)
CRIMPED CONTACTS WILL SHOW NO CRACK WHEN INSPECTED PER MIL-C-22520 AT 10X

RADIAL TOOLING RECOMMENDATION
CRIMPING TOOL : M22520/2-01 (RADIAL P/N : 282281)
SELECTOR POSITION : 4 FOR AWG 22
3 FOR AWG 24
3 FOR AWG 26
POSITIONER : M22520/2-23 (RADIAL P/N : 282970)
INS/EXT TOOL : M81969/1-01 (RADIAL P/N : 282885)
SPL RADIAL INS. 282 880 / EXT. 282 890

DIMENSIONS : mm (inch) -

CREATION		Revisions		Name	Approved
PEN:					
NOM: FALETTI	JAN 06, 09	REDAWN, MATERIALS AND FINISHES MODIFICATION		GELIUSSEAU	BROCHE
DATE: APRIL 25 83	APR 10 96	REDAWN		VALGRESY	
APPR: /	Issue				

4112_9311

This information is given as an indication. In the continual goal to improve our products, we reserve the right to make any modifications judged necessary.

620300EN

RADIALLE PROPRIETARY INFORMATION