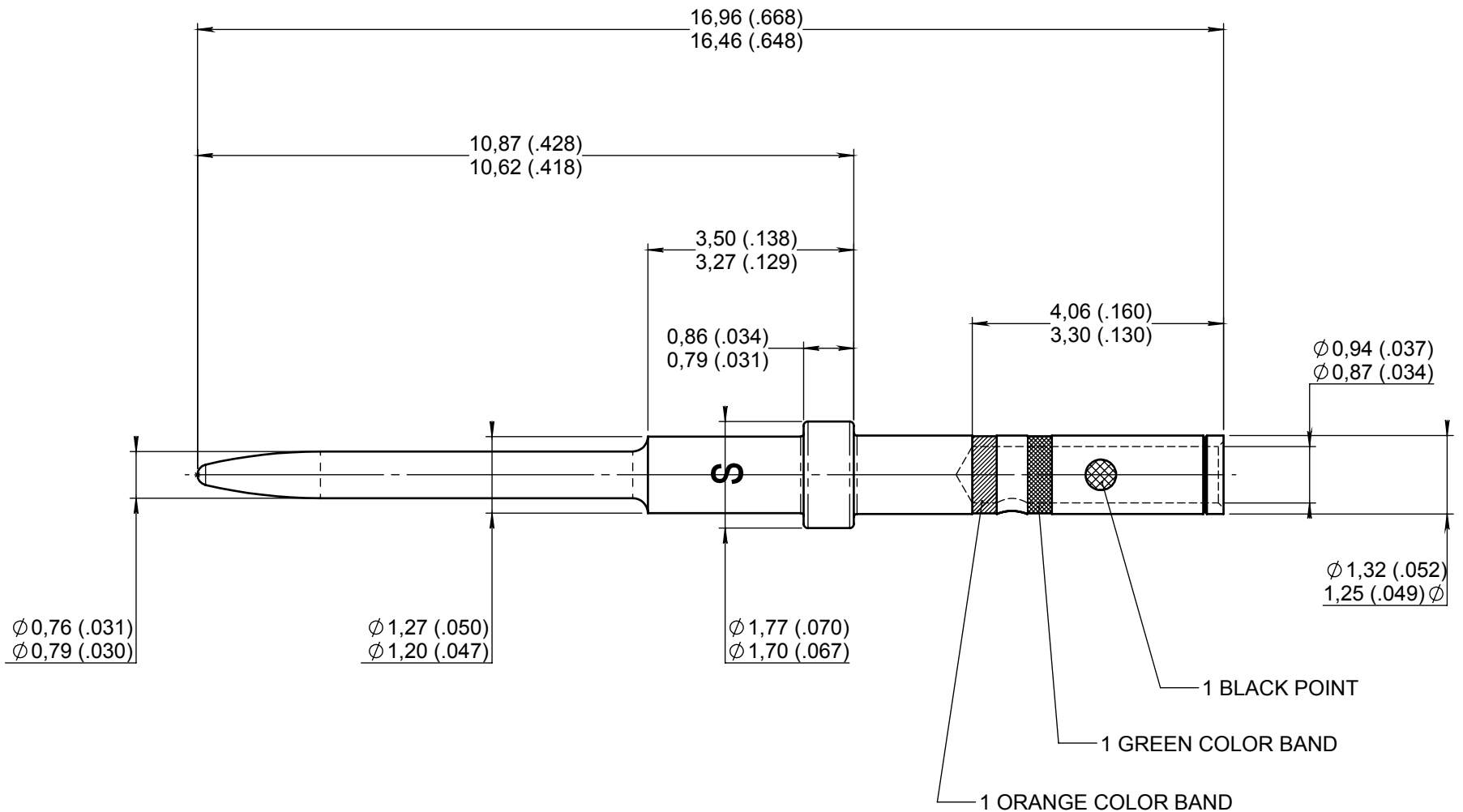


Series
NSX

SIZE 22 REAR RELEASE, REAR REMOVABLE CRIMP PIN CONTACT
ALUMEL

Issue:
Apr. 27, 2016

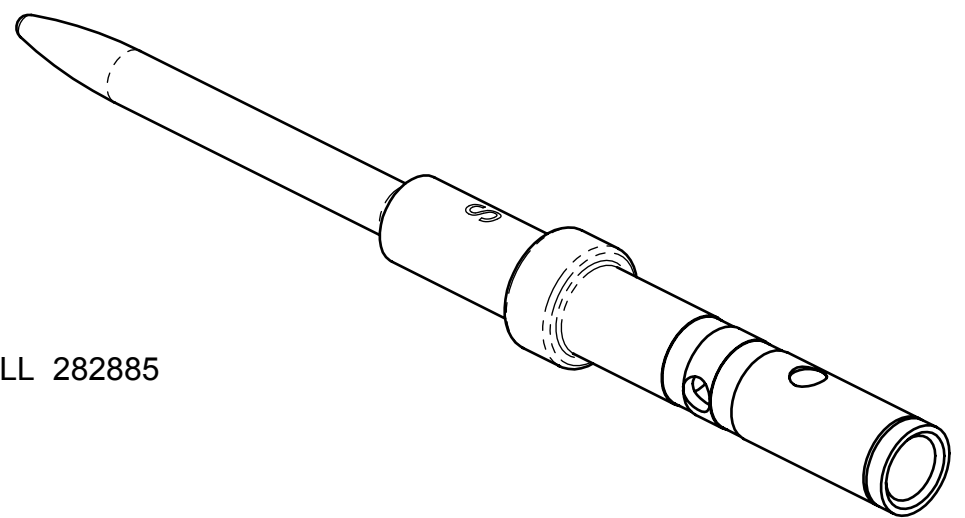
Page
1/1



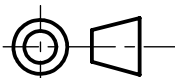
MATERIAL AND FINISH :
ALUMEL

WIRES ACCOMODATED : AWG 22-24-26
INSULATION DIAMETER : 1,37 (0.054) MAX
STRIP LENGTH : 3,43 (0.135)

TOOLING :
CRIMPING TOOL : M22520/2-01 RADIALL 282281
SELECTOR POSITION : 4 FOR AWG 22
3 FOR AWG 24
3 FOR AWG 26
POSITIONER : M22520/2-23 RADIALL 282970
INSERTION AND EXTRACTION TOOL : M81969/1-01 RADIALL 282885



DIMENSIONS : mm (inch are given for information only)



Estimated weight : 0,11 g

| | | | | |
|--|-------------|--|-------------|-------------|
| CREATION PEN: / NOM: FALETI L. DATE: Sept. 16, 1992 APPR.: | | | | |
| | Apr. 27, 16 | Updated 3D view | Pecault B. | Legendre T. |
| | Aug. 04, 14 | Updated | Branjonneau | Moutault |
| | Mar. 29, 93 | Repositionning of color bands and yellow point | Macari JP. | / |
| | Issue | Revisions | Name | Approved |

This document contains proprietary information and such information shall not be disclosed to any third party for any purpose whatsoever or used for manufacturing purposes without prior written agreement from RADIALL. This information is given as an indication. In the continual goal to improve our products, we reserve the right to make any modifications judged necessary.

4112_9311