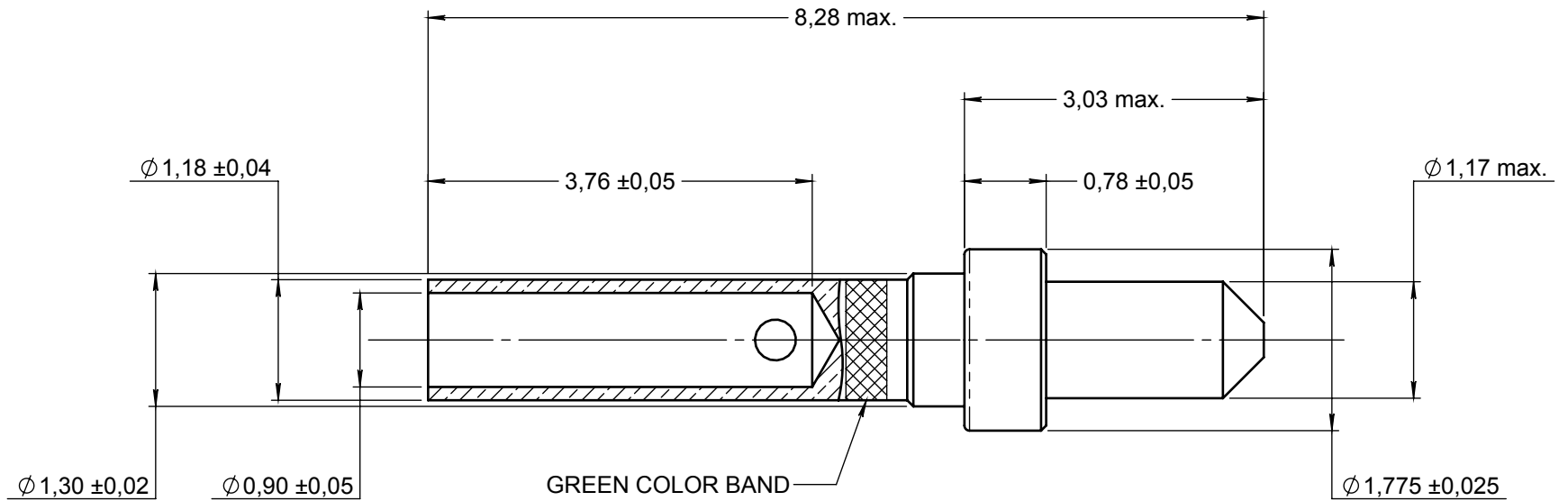


**Series  
NSX**
**PIN CRIMP GROUND CONTACT  
FOR GROUNDING BLOCK**
**Issue:  
Aug. 08, 2018**
**Page  
1/1**


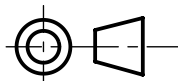
**MATERIAL :**  
CONTACT BODY : COPPER ALLOY

**FINISH :**  
CONTACT BODY : PLATING .00005 INCH OF GOLD PER SAE AMS-2422 OVER NICKEL PER SAE AMS-QQ-N-290

**TOOLING :**  
CRIMPING TOOL : M22520/2-01 RADIALL: 282281  
SELECTOR POSITION : 3 FOR AWG 22  
3 FOR AWG 24  
3 FOR AWG 26

POSITIONER : RADIALL 282591001  
INSERTION AND EXTRACTION TOOL : M81969/1-01 RADIALL: 282885

**DIMENSIONS : mm (inch are given for information only)**



Estimated weight : 0.10 g

CREATION				
PEN: 1011610-1014 NOM: MOUTAULT W. DATE: July 30, 2012 APPR.: DUPUIS V.				
	Aug. 08, 18	Green color band added	Ramos D.	Zuniga F.
	Dec. 06, 16	Modified crimping tools	Legendre T.	Branjonneau V.
	Jan 07, 15	Remove TBD for crimping instruction	Pecault B.	Dupuis V.
	Issue	Revisions	Name	Approved

620260EN

RADIALL PROPRIETARY INFORMATION

This document contains proprietary information and such information shall not be disclosed to any third party for any purpose whatsoever or used for manufacturing purposes without prior written agreement from RADIALL. This information is given as an indication. In the continual goal to improve our products, we reserve the right to make any modifications judged necessary.

4112\_9311