

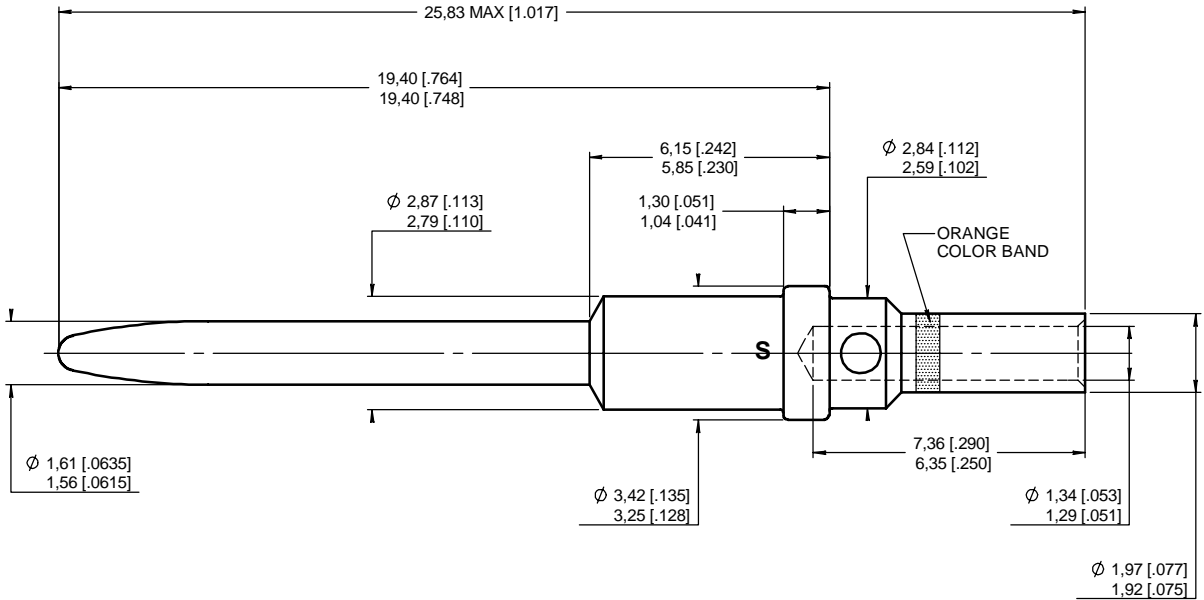


Series
NSX

SIZE 16 CRIMP PIN CONTACT
FOR AWG 18 , 20 , 22 AND 24 CABLES

Issue:
SEPT 14 2004

Page
1/1



MATERIAL:
LEADED NICKEL COPPER (C97)

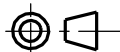
FINISH:
PLATING .00005 INCH OF GOLD PER MIL-G-45204 TYPE I OR II GRADE C OR D CLASS 1 OVER NICKEL PER QQ-N-290

WIRES ACCOMODATED : AWG 18-20-22-24
STRIP LENGHT: .236

TOOLING:
CRIMPING TOOL : M22520/1-01 RADIALL 282 291
SELECTOR POSITION : 5 FOR AWG 18
4 FOR AWG 20
3 FOR AWG 22
2 FOR AWG 24

POSITIONNEUR : M22520/1-02 RADIALL 282 972
OUTIL D'EXTRACTION ET D'INSERTION : M81969/1-03 RADIALL 282 546

DIMENSIONS : mm (inch) -



This information is given as an indication in the continual goal to improve our products, we reserve the right to make any modifications judged necessary.

4112_9311

CREATION				
PEN: M97 0004 322A				
NOM: VALGRESY				
DATE: SEPT 14 2004	/	/	/	/
APPR.: LAHOREAU	Issue	Revisions	Name	Approved